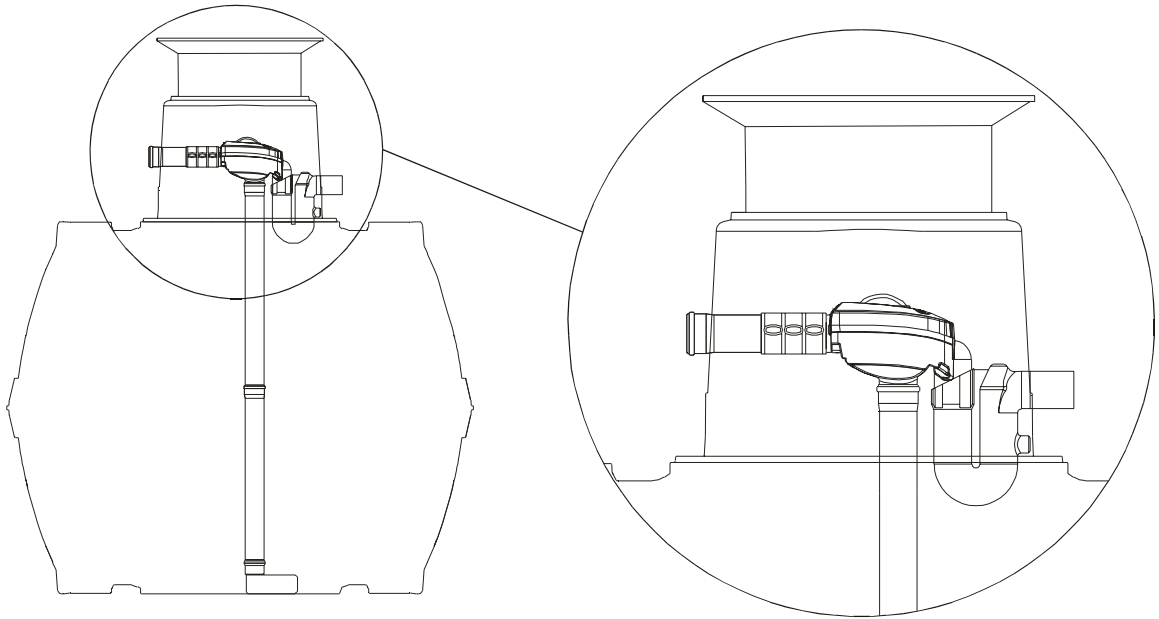


5. Installation

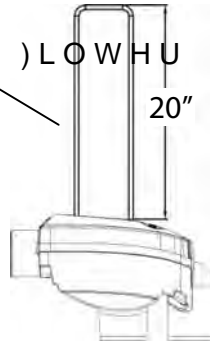
5.4 Insert the filter into the tank



,QVHUV WKH ILOWHU ILWWHG ZLWK WKH GRZQSLSH DQG WKH
,QVHUV WKH RYHUIORZ IURP WRS LQWR WKH VLSKRQ DQG IL[V
FRQWDLQH LQ ILOWHU SDFNDJH

6. Accessory

+DQG ØHR;U
2SWLPD[± 3UR)LOWHU
,WHP 1R



7. Maintenance

'HSHQGLQJ RQ WKH DPRXQW DQG W\SH RI GHEULV WKH ILOWHU
VHYHUDO WLPHV D \HDU 5HPRYH WKH WUDQVSDUHQW FRYHU I
FRYHU LV RQH XQLW ZKLFK UHPRYHV HDVLO\ 7KH RSWLRQDO
HOLPLQDWH WKH QHHG IRU PDQXDO FOHQGLQJ