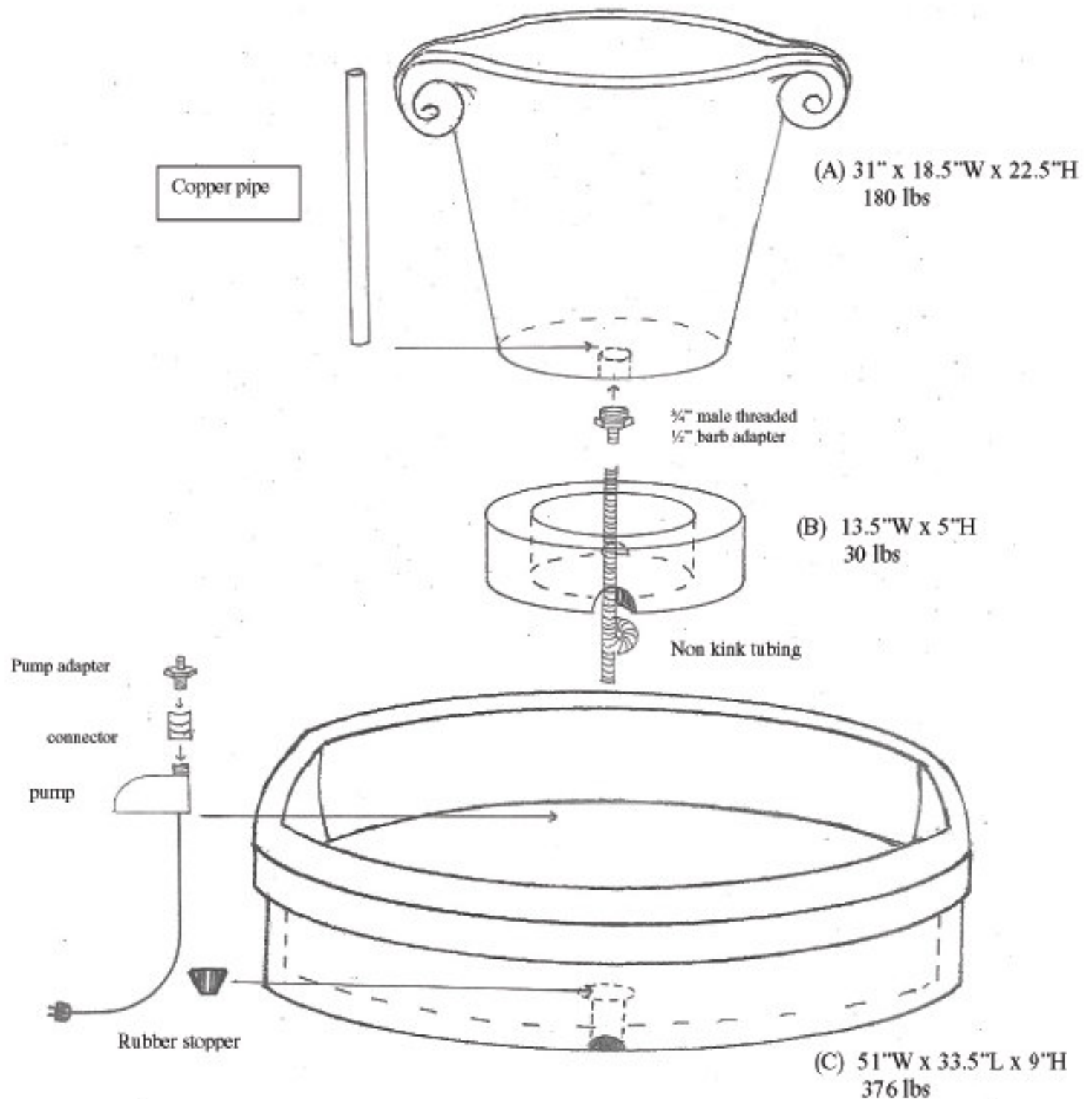


# Anfora Fountain

www.uniquegardendecor.com

(866) 382-8600



## Pump Kit Parts

PK 300 pump (includes 1/2" threaded connector and 1/2" male adapter) \*  
#10 rubber stopper (1)  
21" length of 1" copper pipe (1)  
12" length of 1/2" Black Non-kink tubing (1)  
1/4" male threaded 1/2" barb adapter (1)

Wedges (4)  
Hose clamps (3)  
Plumber putty

\*NOTE - 1/2" threaded connector and 1/2" male adapter may not be needed depending on pump model  
NOTE - Hose clamps may be used as flow restrictor