

PARTS LIST

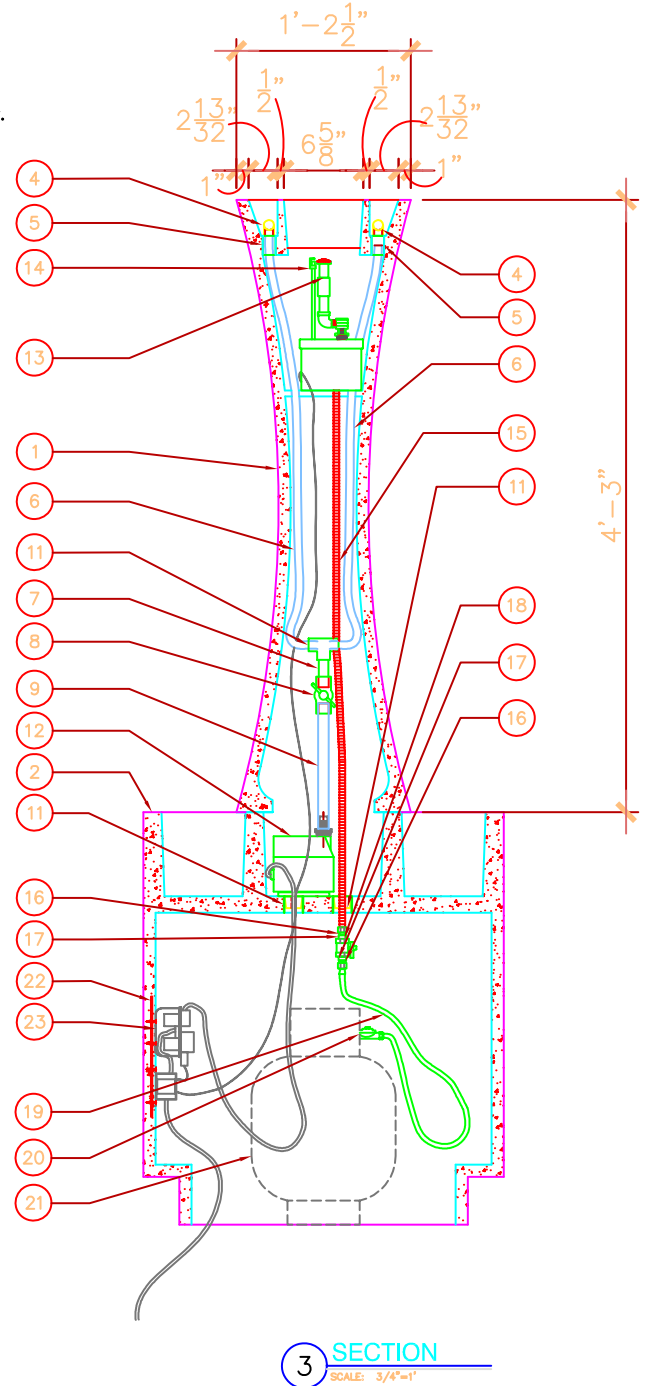
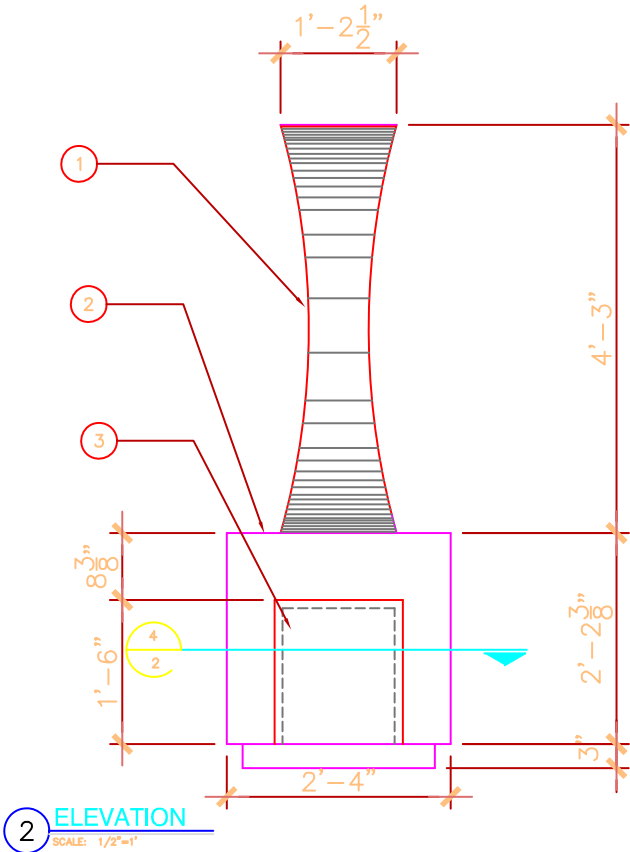
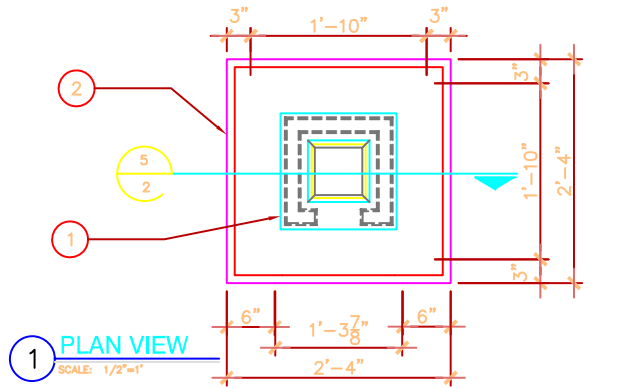
ITEM NO	COMPONENT	PART NO.	DESCRIPTION	MANUFACTURER	QTY	REMARKS
1	FOUNTAIN	-	51" H x 14-1/2"W x 14-1/2" I FOUNTAIN - GFRC	TREVI	1	COLOR OPTIONAL
2		-	30"W SQUARE x 34-3/8" H RISER WITH BUILT IN BASE - GFRC	TREVI	1	COLOR OPTIONAL
3		-	14" X 26" ACCESS COVER - GFRC	TREVI	1	COLOR OPTIONAL
4	TUBING	-	1/2" DIA PVC TEE	-	2	PRE-INSTALLED
5		-	1/2" DIA PVC COUPLER SOCKET END	-	2	PRE-INSTALLED
6		-	5/8"O.D. DIA VINYL TUBE	-	2	PRE-INSTALLED
7	PARTS BAG	-	1/2" DIA x 3-1/2"LG PVC PIPE PLAIN END	-	1	
8		-	1/2" DIA BALL VALVE PVC SCH. 40 150 PSI	-	1	
9		-	5/8" O.D. x 11"LG TUBING - CLEAR VINYL PLAIN END	-	1	
10		-	SHIM PLASTIC	EZ-SHIM	4	
11		-	1-1/4" RUBBER PLUG	-	1	
12	PUMP	-	WP3000, 700 GPH SUBMERSIBLE PUMP	-	1	
13		-	FIRE SPOUT	-	1	

NOTE:

Electrical supply must conform with local & national regulation/codes. If in doubt consult an electrician.

To ease connections hot water may be used to soften PVC tubing. Pump and plumbing details may vary.

Precautions should be taken to prevent damage from water freezing in reservoir.



IIF SHOP.DWG

PARTS LIST

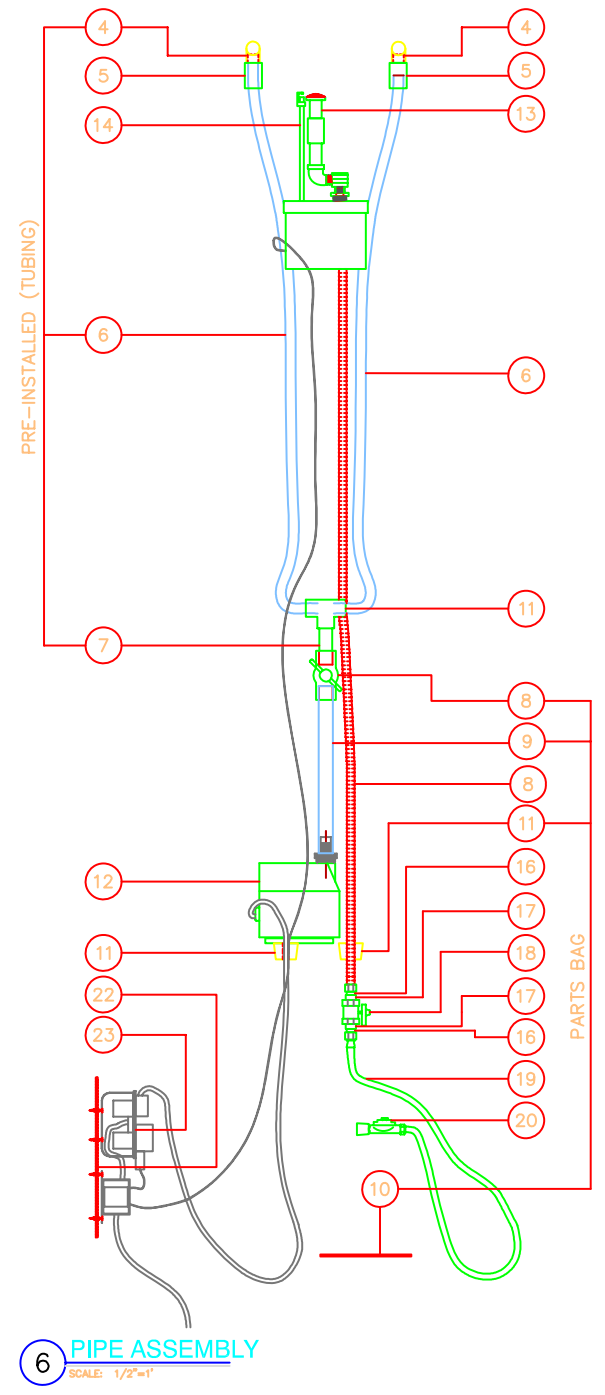
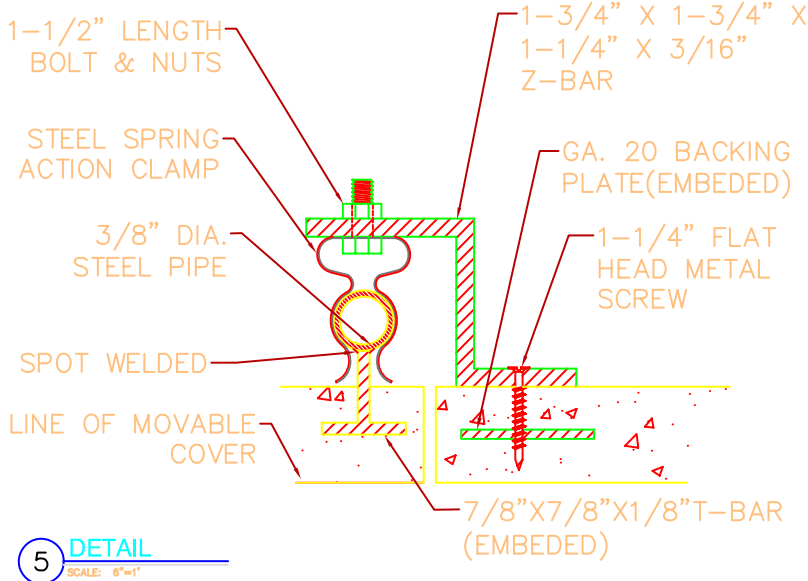
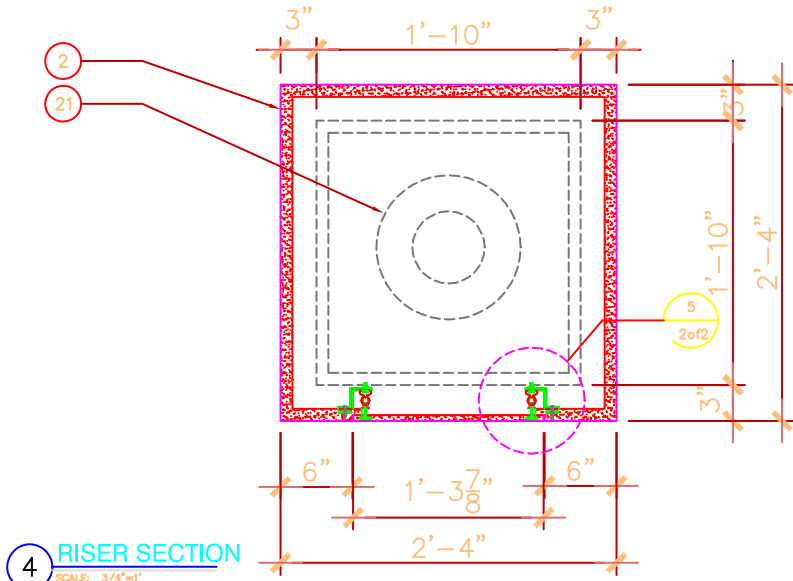
ITEM NO	COMPONENT	PART NO.	DESCRIPTION	MANUFACTURER	QTY	REMARKS
1		-	IGNITER	-	1	
2		-	1/2" FLEXIBLE STEEL JACKETED RUBBER GAS TUBE	-	1	
3		-	FULL THREADED JOINER PIPE	-	2	
4		-	1/2" X 3/8" REDUCER	-	2	
5		-	1/2" DIA STEEL GAS VALVE	-	1	
6		-	1/2" DIA RUBBER PROPANE GAS TUBE	-	1	
7		-	PROPANE GAS REGULATOR	-	1	
8		-	PROPANE GAS TANK	-	-	
9		-	6" X 8" 1/8"THK. STEEL PLATE (EMBED) FOR ELECTRICAL INSTALLATION	TREVI	1	
10		-	METAL UTILITY BOX	-	1	

NOTE:

Electrical supply must conform with local & national regulation/codes. If in doubt consult an electrician.

To ease connections hot water may be used to soften PVC tubing. Pump and plumbing details may vary.

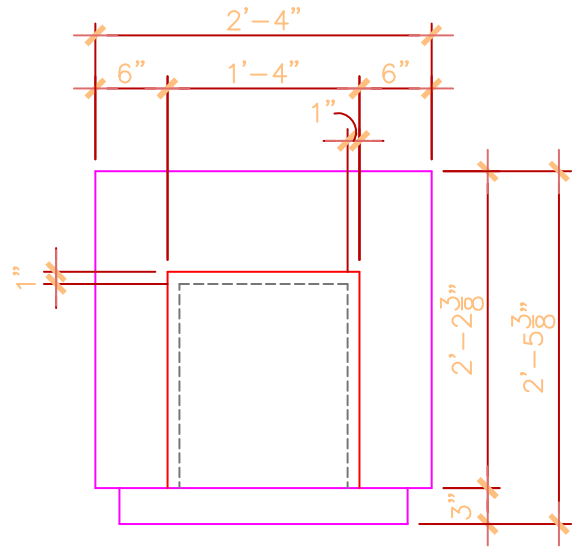
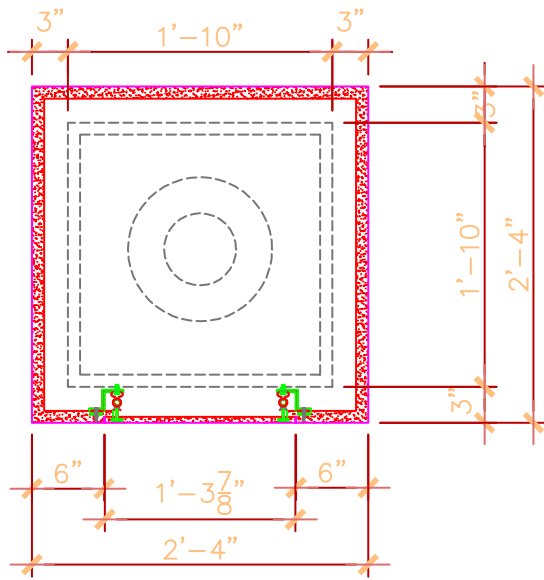
Precautions should be taken to prevent damage from water freezing in reservoir.



COPYRIGHT 2003 TREVI MANUFACTURING ALL RIGHTS RESERVED

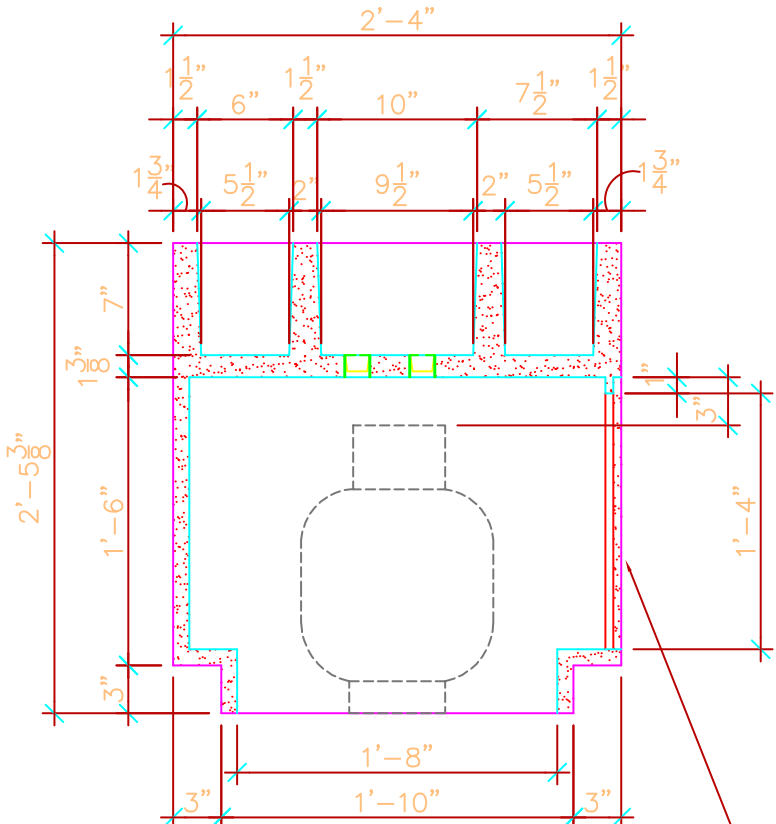
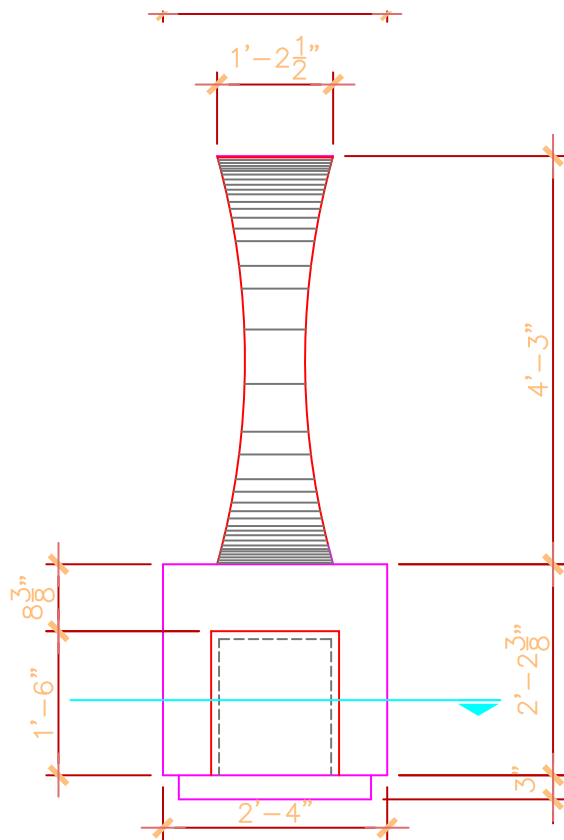
<p>Trevi Manufacturing 2107 Westwood Dr. Las Vegas, NV 89109</p>	DESIGN BY	DATE	NO.	REVISIONS	DATE	BY	CONTENT	DRAWING NO
	DRAWN BY	08-10-07	1				IIIF I FOUNTAIN WITH FIRE	IIIF SHOP
	CHECKED BY	08-10-07	2					
	APPROVED BY	08-10-07	3				PROJECT IIIF	SHEET NO. 2 OF 2

IIIF SHOP.DWG



1 PLAN VIEW  
SCALE: 3/4"=1'

3 ELEVATION  
SCALE: 3/4"=1'



2 FOUNTAIN WITH BASE ELEVATION  
SCALE: 1/2"=1'

4 SECTION  
SCALE: 1"=1'

REMOVABLE DOOR COVER

COPYRIGHT 2003 TREVI MANUFACTURING ALL RIGHTS RESERVED

**TREVI**  
Trevi Manufacturing  
2107 Westwood Dr.  
Las Vegas, NV 89109

DESIGN BY	DATE	NO.	REVISIONS	DATE	BY	CONTENT
DRAWN BY RAMON	DATE 08-31-07	1	ADJUSTMENT OF BASE DIMENSIONS	08-31-07	RGV	IIIF I FOUNTAIN WITH FIRE BASE
CHECKED BY ROMEO	DATE 08-31-07	2				
APPROVED BY JASON	DATE 08-31-07	3				
PROJECT						IIIF

DRAWING NO	IIIF SHOP
SHEET NO.	1 OF 1

IIIF SHOP.DWG