

PARTS LIST

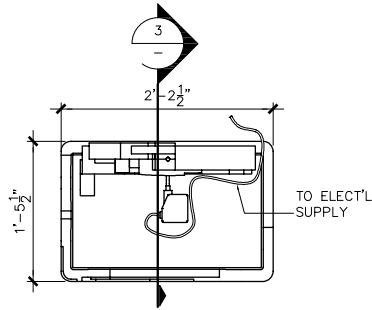
| ITEM NO | COMPONENT | PART NO. | DESCRIPTION  | MANUFACTURER   | QTY | REMARKS        |
|---------|-----------|----------|--|----------------|-----|----------------|
| ①       | FOUNTAIN  | -        | 49"H x 22"W 23lbs. ART FOUNTAIN - GFRC                     | TREVI          | 1   | COLOR OPTIONAL |
| ②       |           | -        | 17-1/2"L x 26-1/2"W x 11-13/16"H MINI BASE - GFRC          | TREVI          | 1   | COLOR OPTIONAL |
| ③       | TUBING    | -        | 1/2" I.D. x 1-0' LG COPPER PIPE PLAIN END BENDED @ ONE END | -              | 1   | PRE-INSTALLED  |
| ④       | PARTS BAG | A103     | 5/8" I.D. x 4'-0" LG TUBING - CLEAR VYNYL PLAIN END        | -              | 1   |                |
| ⑤       |           | A103     | 1/2" I.D. 90° ELBOW CPVC SOCKET END                        | -              | 1   |                |
| ⑥       |           | A103     | SHIM PLASTIC   | EZ - SHIM      | 3   |                |
| ⑦       | PUMP      | -        | 1" x 1/2" DIA ADAPTER THREADED                             | JEAN TECH INC. | 1   |                |
| ⑧       |           | -        | WT300, 190 GPH SUBMERSIBLE PUMP                            | JEAN TECH INC. | 1   |                |

NOTE:

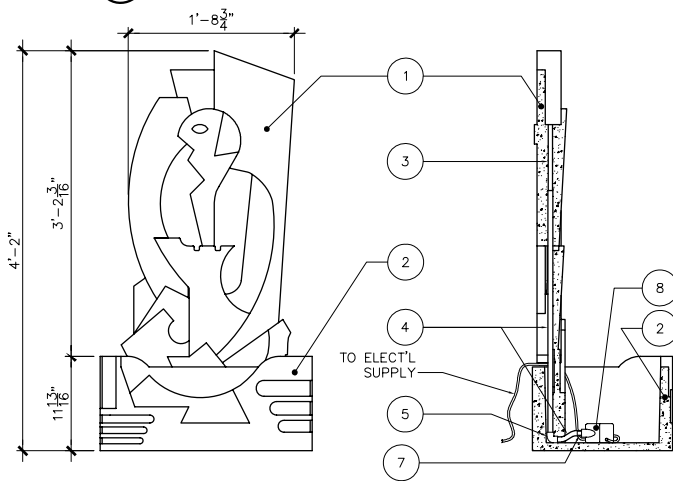
Electrical supply must conform with local & national regulation/codes. If in doubt consult an electrician.

To ease connections hot water may be used to soften PVC tubing. Pump and plumbing details may vary.

Precautions should be taken to prevent damage from water freezing in reservoir.



① PLAN VIEW  
SCALE: 1/2"=1'



② ELEVATION  
SCALE: 1/2"=1'

③ SECTION  
SCALE: 1/2"=1'

