

PARTS LIST

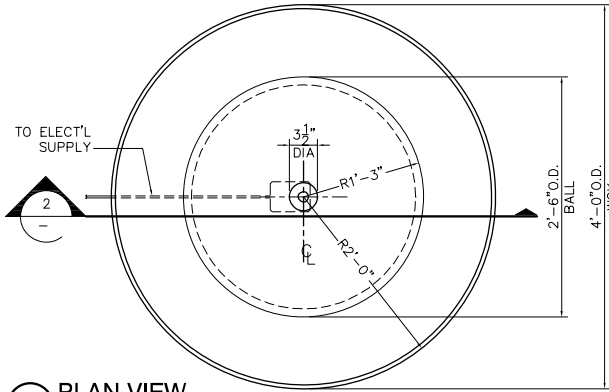
| ITEM NO | COMPONENT | PART NO. | DESCRIPTION | MANUFACTURER | QTY | REMARKS |
|---------|-----------|----------|---|----------------|-----|----------------|
| 1 | FOUNTAIN | - | 30" DIA BALL - GFRC | TREVI | 1 | COLOR OPTIONAL |
| 2 | | - | 48" O.D. WOK ROUND BASE GFRC | TREVI | 1 | COLOR OPTIONAL |
| 3 | TUBING | - | 3/4" DIA PVC COUPLER SOCKET END | - | 1 | PRE-INSTALLED |
| 4 | | - | 3/4"x1/2" DIA PVC CONCENTRIC REDUCER SOCKET END | - | 1 | PRE-INSTALLED |
| 5 | | - | 1/2" DIA x 10"LG PVC PIPE PLAIN END | - | 1 | PRE-INSTALLED |
| 6 | PARTS BAG | A100 | 1/2" DIA BALL VALVE PVC SCH. 40 150 PSI | - | 1 | |
| 7 | | A100 | 5/8" I.D. x 10"LG TUBING - CLEAR VINYL PLAIN END | - | 1 | |
| 8 | | A100 | SHIM PLASTIC | EZ - SHIM | 4 | |
| 9 | | A100 | 1-1/4" RUBBER PLUG | TREVI | 1 | |
| 10 | PUMP | - | 1/2" I.D. x 2"L HOSE TAIL - CLEAR VINYL PLAIN END | JEAN TECH INC. | 1 | |
| 11 | | - | 1"x1/2" DIA ADAPTER THREADED | JEAN TECH INC. | 1 | |
| 12 | | - | VA2600, 700 GPH SUBMERSIBLE PUMP | JEAN TECH INC. | 1 | |

NOTE:

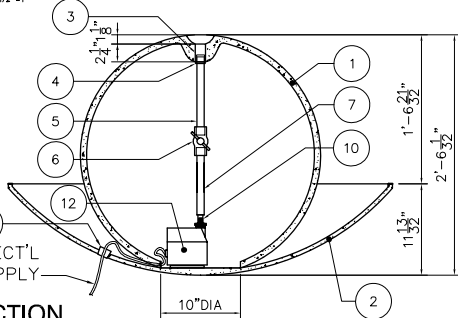
Electrical supply must conform with local & national regulation/codes. If in doubt consult an electrician.

To ease connections hot water may be used to soften PVC tubing. Pump and plumbing details may vary.

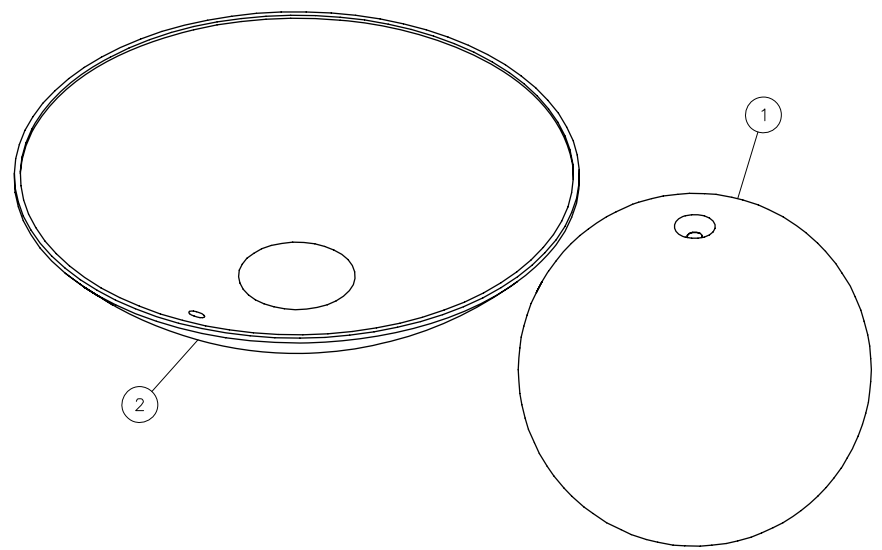
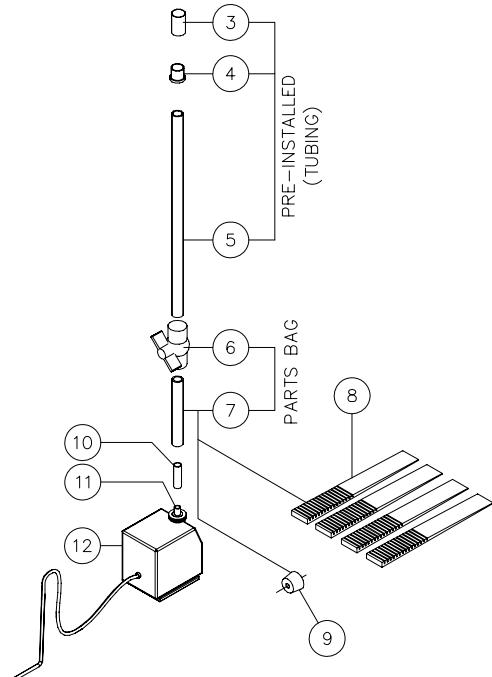
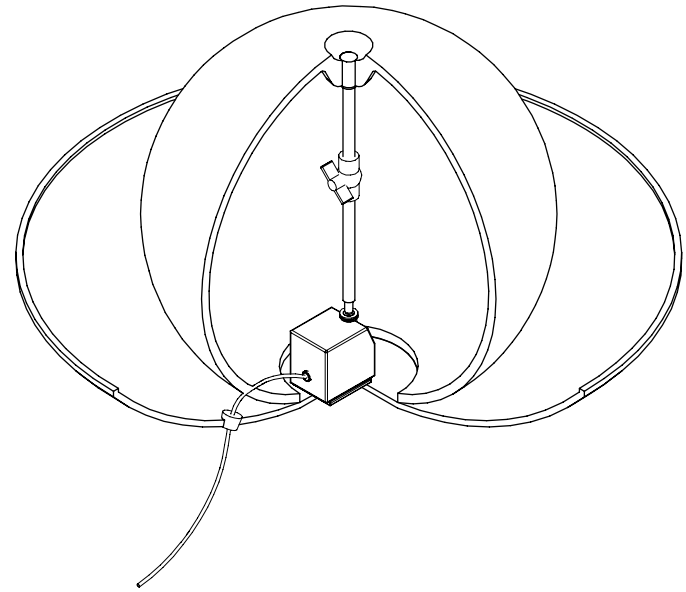
Precautions should be taken to prevent damage from water freezing in reservoir.



1 PLAN VIEW
SCALE: 1/2"=1"



2 SECTION
SCALE: 1/2"=1"



48F-WLKP-72 SHOP.DWG