

PARTS LIST

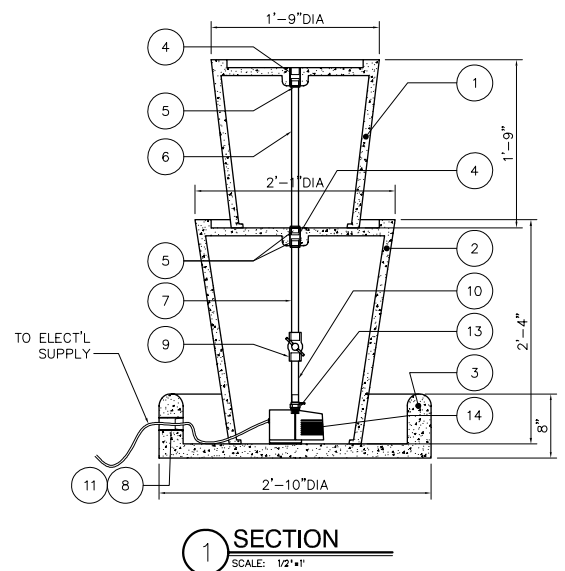
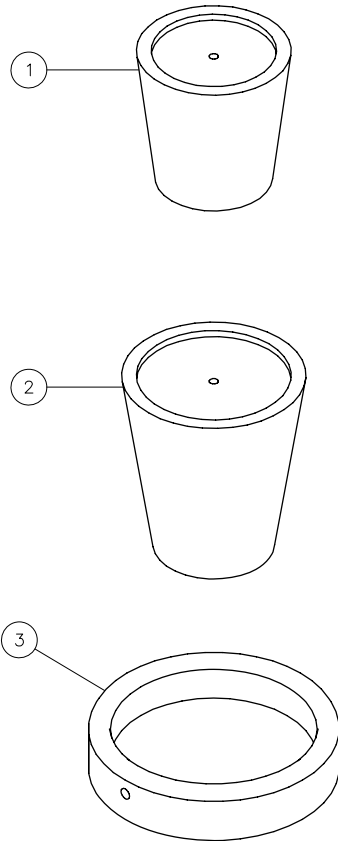
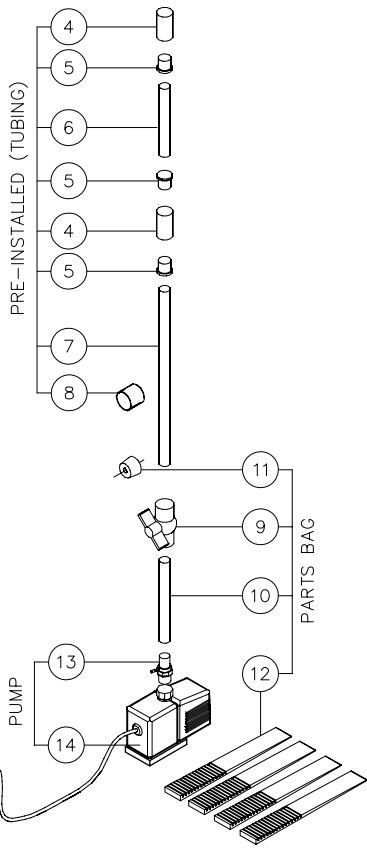
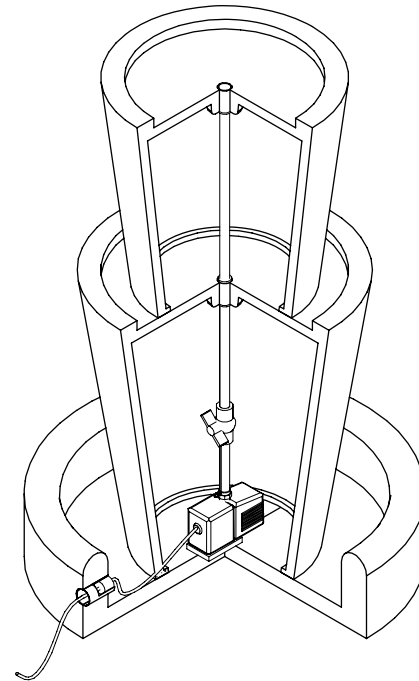
ITEM NO	COMPONENT	PART NO.	DESCRIPTION	MANUFACTURER	QTY	REMARKS
1	FOUNTAIN	-	21" H x 21" OD BI-LEVEL FOUNTAIN - GFRC	TREVI	1	COLOR OPTIONAL
2		-	28" H x 25" OD BI-LEVEL FOUNTAIN - GFRC	TREVI	1	COLOR OPTIONAL
3		-	34" OD x 8" H BASE - GFRC	TREVI	1	BLACK
4	TUBING	-	3/4" DIA PVC COUPLER SOCKET END	-	2	PRE-INSTALLED
5		-	1/2" x 3/4" DIA PVC CONCENTRIC REDUCER SOCKET END	-	3	PRE-INSTALLED
6		-	1/2" DIA x 18" LG PVC PIPE PLAIN END	-	1	PRE-INSTALLED
7		-	1/2" DIA x 1' LG PVC PIPE PLAIN END	-	1	PRE-INSTALLED
8		-	1-1/4" DIA x 1-3/8" LG PVC PIPE SLEEVE PLAIN END	-	1	PRE-INSTALLED
9	PARTS BAG	A100	1/2" DIA BALL VALVE PVC SCH. 40 150 PSI	-	1	
10		A100	5/8" I.D. x 10" LG TUBING - CLEAR VINYL PLAIN END	-	1	
11		A100	1-3/4" DIA RUBBER PLUG	TREVI	1	
12		A100	SHIM PLASTIC	EZ - SHIM	4	
13	PUMP	-	1 1/2" DIA THREADED, SLIP ON DISCHARGE ADAPTER WITH VENTURI	COMMODITY AXIS INC.	1	
		-	VA3300, 950 GPH SUBMERSIBLE PUMP	COMMODITY AXIS INC.	1	

NOTE:

Electrical supply must conform with local & national regulation/codes. If in doubt consult an electrician.

To ease connections hot water may be used to soften PVC tubing. Pump and plumbing details may vary.

Precautions should be taken to prevent damage from water freezing in reservoir.



BI-JUG-N_SHOP.DWG