

PARTS LIST

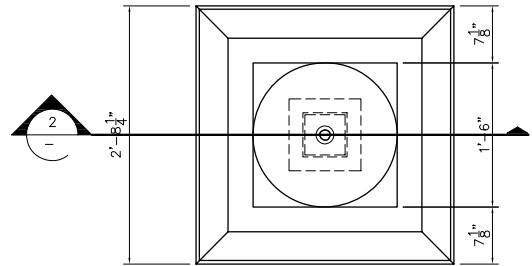
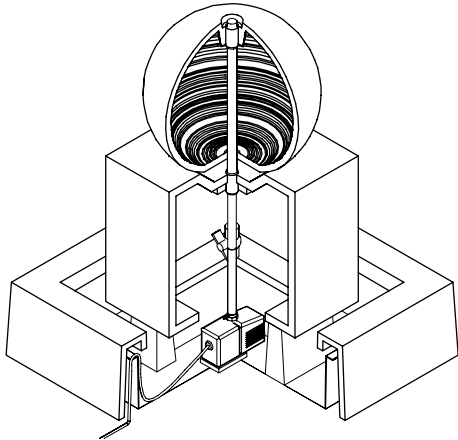
ITEM NO	COMPONENT	PART NO.	DESCRIPTION	MANUFACTURER	QTY	REMARKS
1	FOUNTAIN	-	18" DIA BALL - GFRC	TREVI	1	COLOR OPTIONAL
2		-	18"H x 18"W BLOCK FOUNTAIN - GFRC	TREVI	1	COLOR OPTIONAL
3		-	2'8 1/4"W x 2'8 1/4"L x 8 7/8"H SQUARE BASE - GFRC	TREVI	1	COLOR OPTIONAL
4		-	2'4 3/4"W x 2'4 3/4"L x 6 13/16"H SQUARE BASEN - PLASTIC	TREVI	1	BLACK
5	TUBING	-	3/4" DIA PVC COUPLER SOCKET END	-	2	PRE-INSTALLED
6		-	1/2" x 3/4" DIA PVC CONCENTRIC REDUCER SOCKET END	-	1	PRE-INSTALLED
7		-	1/2" DIA x 12"LG PVC PIPE PLAIN END	-	1	PRE-INSTALLED
8	PARTS BAG	A115	1/2" x 3/4" DIA PVC CONCENTRIC REDUCER SOCKET END	-	2	
9		A115	5/8" I.D. x 24"LG TUBING - CLEAR VINYL PLAIN END	-	1	
10		A115	1/2" DIA BALL VALVE PVC SCH. 40 150 PSI	-	1	
11		A115	5/8" I.D. x 10"LG TUBING - CLEAR VINYL PLAIN END	-	1	
12		A115	SHIM PLASTIC	EZ - SHIM	6	
13	PUMP	-	1 1/2" DIA THREADED, SLIP ON DISCHARGE ADAPTER WITH VENTURI	COMMODITY AXIS INC.	1	
		-	VA2600, 700 GPH SUBMERSIBLE PUMP	COMMODITY AXIS INC.	1	

NOTE:

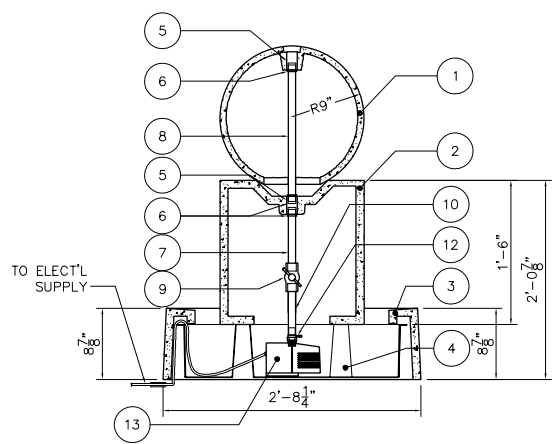
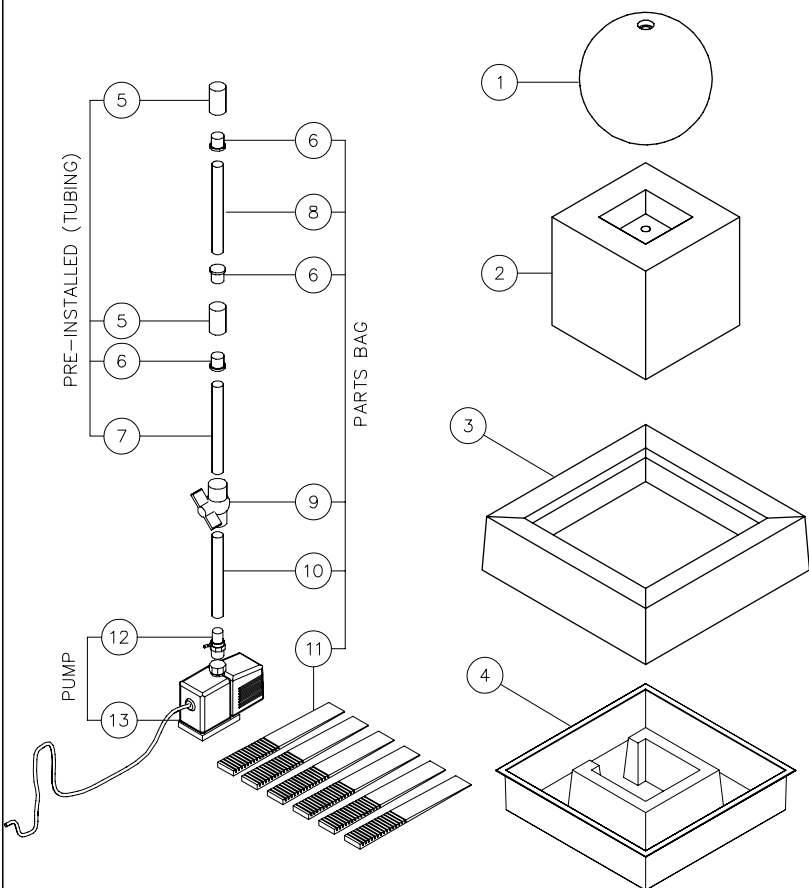
Electrical supply must conform with local & national regulation/codes. If in doubt consult an electrician.

To ease connections hot water may be used to soften PVC tubing. Pump and plumbing details may vary.

Precautions should be taken to prevent damage from water freezing in reservoir.



1 PLAN  
SCALE: 1/2"=1'



2 SECTION  
SCALE: 1/2"=1'

BLKF-BALL\_SHOP.DWG