

PARTS LIST

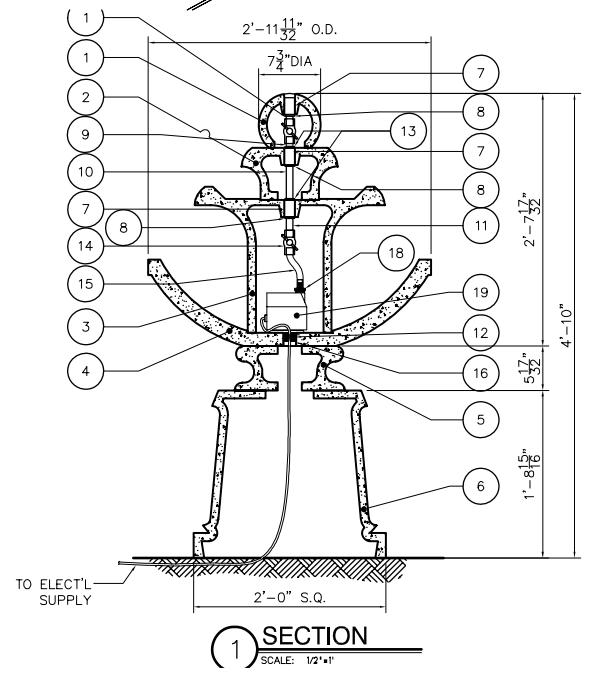
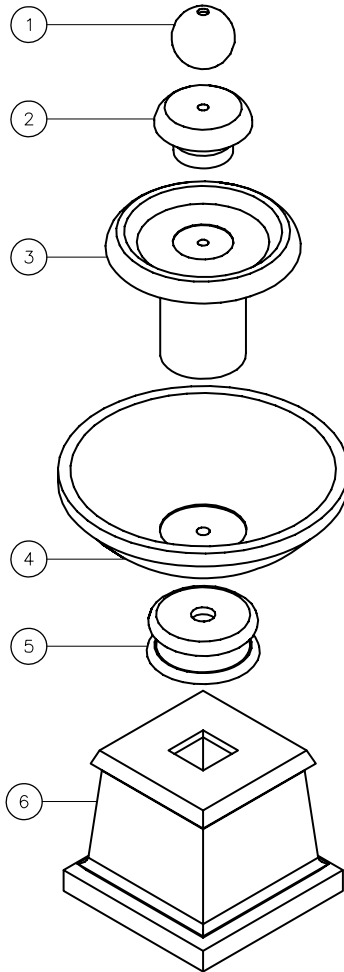
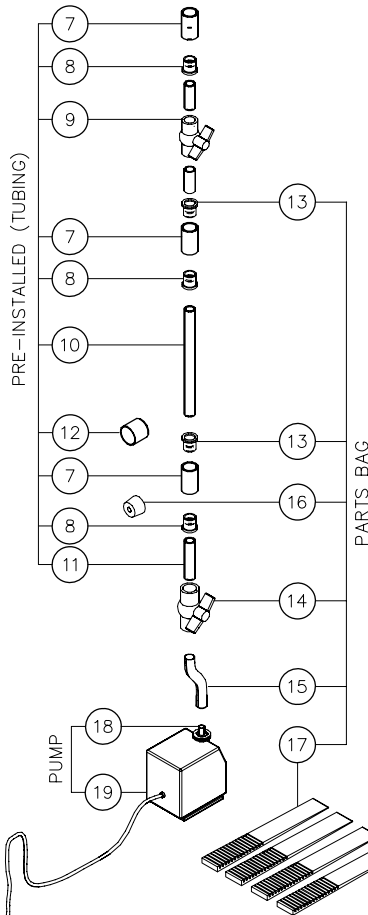
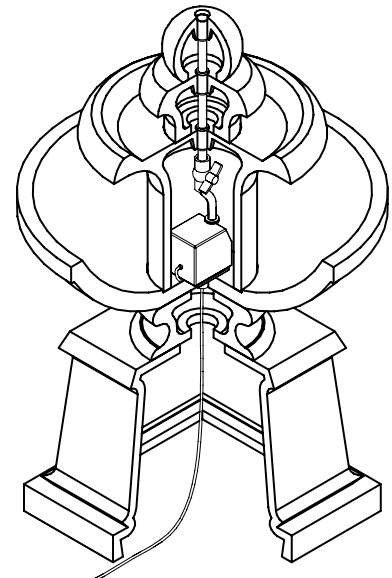
ITEM NO	COMPONENT	PART NO.	DESCRIPTION	MANUFACTURER	QTY	REMARKS
1	FOUNTAIN	-	6-25/32"H x 7-3/4"OD (1) CRESERE FOUNTAIN - GFRC	TREVI	1	COLOR OPTIONAL
2		-	6-17/32"H x 12"OD (2) CRESERE FOUNTAIN - GFRC	TREVI	1	COLOR OPTIONAL
3		-	18-9/32"H x 23-25/32"OD (3) CRESERE FOUNTAIN - GFRC	TREVI	1	COLOR OPTIONAL
4		-	10-13/16"H x 7-3/4"OD (4) BOWL CRESERE FOUNTAIN - GFRC	TREVI	1	COLOR OPTIONAL
5		-	5-17/32"H x 13-13/32"OD (5) CRESERE FOUNTAIN - GFRC	TREVI	1	COLOR OPTIONAL
6		-	20-15/16"H x 24"L x 24"W BASE (6) CRESER FOUNTAIN - GFRC	TREVI	1	COLOR OPTIONAL
7	TUBING	-	3/4" DIA PVC COUPLER SOCKET END	-	3	PRE-INSTALLED
8		-	1/2" x 3/4" DIA PVC CONCENTRIC REDUCER SOCKET END	-	3	PRE-INSTALLED
9		-	1/2" DIA x 15-29/32" LG PVC PIPE PLAIN END	-	1	PRE-INSTALLED
10		-	1/2" DIA x 6-5/32" LG PVC PIPE PLAIN END	-	1	PRE-INSTALLED
11		-	1/2" DIA x 3-3/8" LG PVC PIPE PLAIN END	-	1	PRE-INSTALLED
12		-	1-1/4" DIA x 1-5/8" LG PVC PIPE SLEEVE PLAIN END	-	1	PRE-INSTALLED
13	PARTS BAG	C104	1/2" x 3/4" DIA PVC CONCENTRIC REDUCER SOCKET END	-	2	
14		C104	1/2" DIA BALL VALVE PVC SCH. 40 150 PSI	-	1	
15		C104	5/8" I.D. x 10"LG TUBING - CLEAR VINYL PLAIN END	-	1	
16		C104	1-1/4" DIA RUBBER PLUG	TREVI	1	
17		C104	SHIM PLASTIC	EZ - SHIM	12	
18	PUMP	-	1 1/2" DIA THREADED, SLIP ON DISCHARGE ADAPTER WITH VENTURI	COMMODITY AXIS INC.	1	
19		-	WP3500 GPH SUBMERSIBLE PUMP	COMMODITY AXIS INC.	1	

NOTE:

Electrical supply must conform with local & national regulation/codes. If in doubt consult an electrician.

To ease connections hot water may be used to soften PVC tubing. Pump and plumbing details may vary.

Precautions should be taken to prevent damage from water freezing in reservoir.



CRCR_SHOP.DWG

CONTENT CRCR CRESERE FOUNTAIN	DRAWING NO CRCR SHOP
PROJECT CRCR	SHEET, NO. 1 OF 1