

PARTS LIST

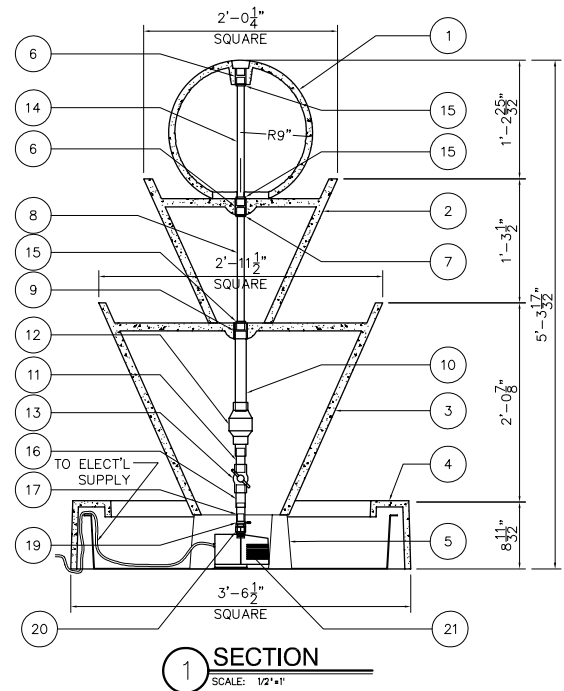
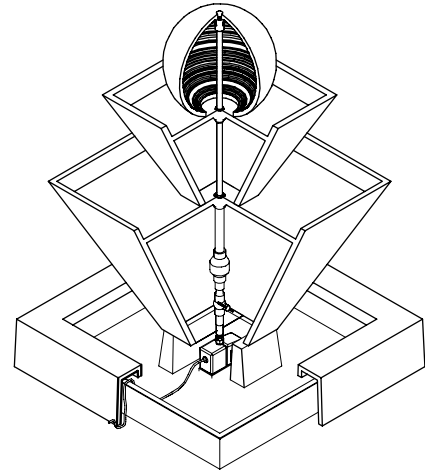
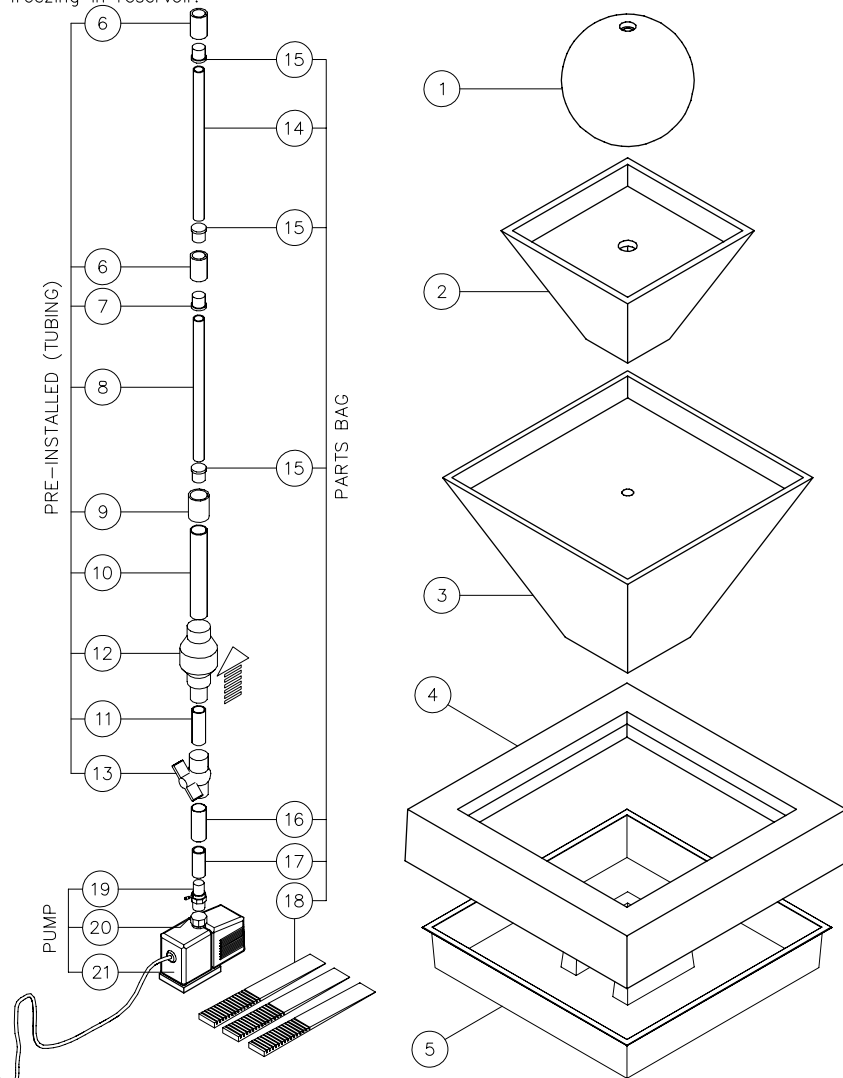
ITEM NO	COMPONENT	PART NO.	DESCRIPTION	MANUFACTURER	QTY	REMARKS
①	FOUNTAIN	-	18" DIA BALL - GFRC	TREVI	1	COLOR OPTIONAL
②		-	24-1/4"W x 24-1/4"L x 18"D OBLIQUE FTN. (SMALL) GFRC	TREVI	1	COLOR OPTIONAL
③		-	26-1/2"W x 26-1/2"L x 35-1/2"D OBLIQUE FTN. (LARGE) GFRC	TREVI	1	COLOR OPTIONAL
④		-	42-1/2"W x 42-1/2"L x 18-1/2"D SQUARE BASE - GFRC	TREVI	1	COLOR OPTIONAL
⑤		-	39-1/4"W x 39-1/4"L x 6-23/32"D SQUARE BASEN - PLASTIC	TREVI	1	BLACK
⑥	TUBING	-	3/4" DIA PVC COUPLER SOCKET END	-	2	PRE-INSTALLED
⑦		-	1/2" x 3/4" DIA PVC CONCENTRIC REDUCER SOCKET END	-	1	PRE-INSTALLED
⑧		-	1" DIA x 10"LG PVC PIPE PLAIN END	-	1	PRE-INSTALLED
⑨		-	1" DIA PVC COUPLER SOCKET END	-	1	PRE-INSTALLED
⑩		-	1" DIA x 10-3/4"LG PVC PIPE PLAIN END	-	1	PRE-INSTALLED
⑪		-	3/4" DIA x 3" LG CONNECTOR PVC PIPE PLAIN END	-	1	PRE-INSTALLED
⑫		-	1" DIA NON-RETURN VALVE PVC SCH. 40 200 PSI (CHECK VALVE)	-	1	PRE-INSTALLED
⑬		-	3/4" DIA BALL VALVE PVC SCH. 40 150 PSI	-	1	PRE-INSTALLED
⑭	PARTS BAG	A121	5/8" I.D. x 24"LG TUBING - CLEAR VINYL PLAIN END	-	1	
⑮		A121	1/2" x 3/4" DIA PVC CONCENTRIC REDUCER SOCKET END	-	3	
⑯		A121	7/8" I.D. x 6"L HOSE TAIL - CLEAR VINYL PLAIN END	-	1	
⑰		A121	5/8" I.D. x 6"L HOSE TAIL - CLEAR VINYL PLAIN END	-	1	
⑱		A121	SHIM PLASTIC	EZ - SHIM	8	
⑲	PUMP	-	1/2" DIA THREADED, SLIP ON DISCHARGE ADAPTER WITH VENTURI	COMMODITY AXIS INC.	1	
⑳		-	1/2" DIA THREADED DISCHARGE ADAPTER	COMMODITY AXIS INC.	1	
㉑		-	VA4900, 1200 GPH SUBMERSIBLE PUMP	COMMODITY AXIS INC.	1	

NOTE:

Electrical supply must conform with local & national regulation/codes. If in doubt consult an electrician.

To ease connections hot water may be used to soften PVC tubing. Pump and plumbing details may vary.

Precautions should be taken to prevent damage from water freezing in reservoir.



OBDF BALL - SHOP.DWG