

PARTS LIST

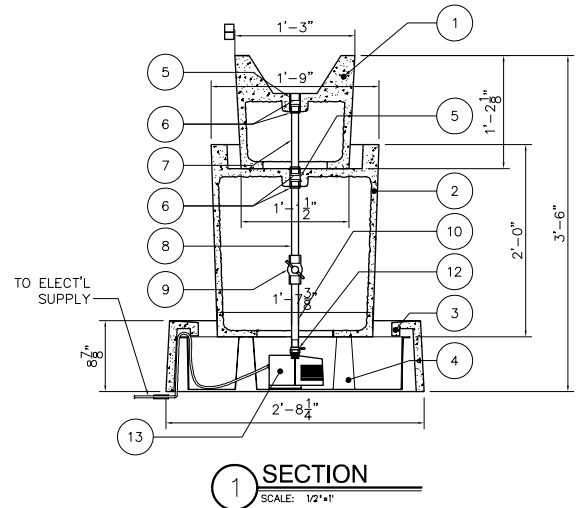
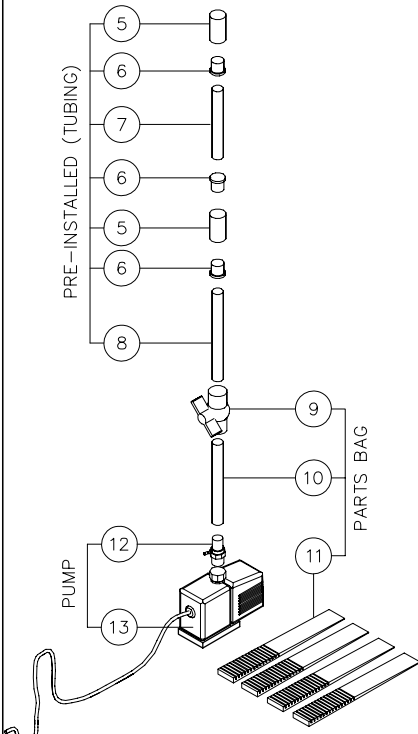
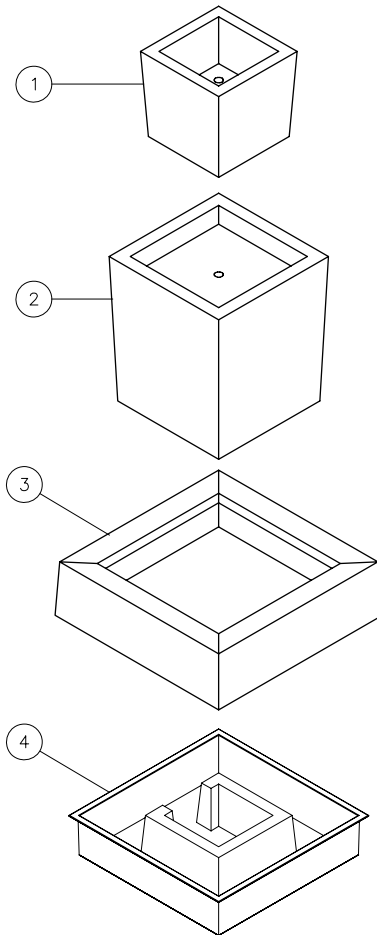
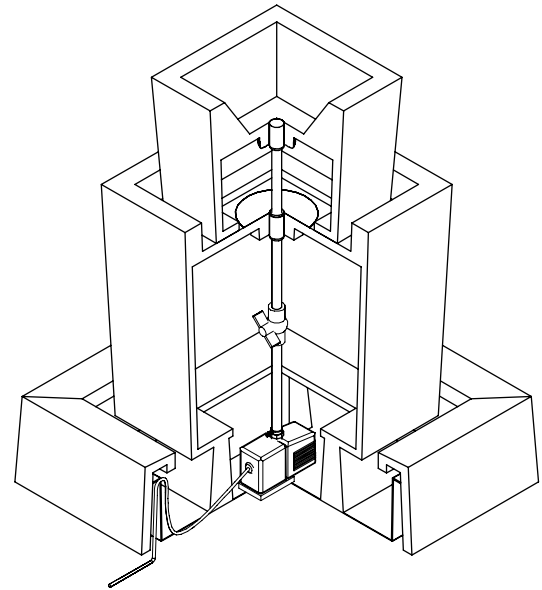
ITEM NO	COMPONENT	PART NO.	DESCRIPTION	MANUFACTURER	QTY	REMARKS
①	FOUNTAIN	-	20"H x 15"W OBTUSE FOUNTAIN - GFRC	TREVI	1	COLOR OPTIONAL
②		-	56"H x 32"W 315lbs. OBTUSE FOUNTAIN - GFRC	TREVI	1	COLOR OPTIONAL
③		-	2'8 1/4"W x 2'8 1/4"L x 8 7/8"H SQUARE BASE - GFRC	TREVI	1	COLOR OPTIONAL
④		-	2'4 3/4"W x 2'4 3/4"L x 6 19/32"H SQUARE BASEN - PLASTIC	TREVI	1	BLACK
⑤	TUBING	-	3/4" DIA PVC COUPLER SOCKET END	-	2	PRE-INSTALLED
⑥		-	1/2" x 3/4" DIA PVC CONCENTRIC REDUCER SOCKET END	-	3	PRE-INSTALLED
⑦		-	1" DIA x 10"LG PVC PIPE PLAIN END	-	1	PRE-INSTALLED
⑧		-	1" DIA x 1'LG PVC PIPE PLAIN END	-	1	PRE-INSTALLED
⑨	PARTS BAG	A101	1/2" DIA BALL VALVE PVC SCH. 40 150 PSI	-	1	
⑩		A101	5/8" I.D. x 10"LG TUBING - CLEAR VINYL PLAIN END	-	1	
⑪		A101	SHIM PLASTIC	EZ - SHIM	4	
⑫	PUMP	-	1 1/2" DIA THREADED, SLIP ON DISCHARGE ADAPTER WITH VENTURI	COMMODITY AXIS INC.	1	
⑬		-	VA3300, 950 GPH SUBMERSIBLE PUMP	COMMODITY AXIS INC.	1	

NOTE:

Electrical supply must conform with local & national regulation/codes. If in doubt consult an electrician.

To ease connections hot water may be used to soften PVC tubing. Pump and plumbing details may vary.

Precautions should be taken to prevent damage from water freezing in reservoir.



OBTDF_SHOP.DWG

Yard Art

925.487.7166

www.uniquegardendecor.com

CONTENT
OBTDF
DOUBLE OBTUSE FOUNTAIN

DRAWING NO
OBTDF
SHOP

PROJECT OBTDF

SHEET. NO. 1 OF 1