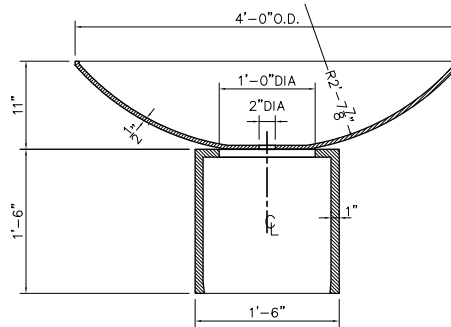
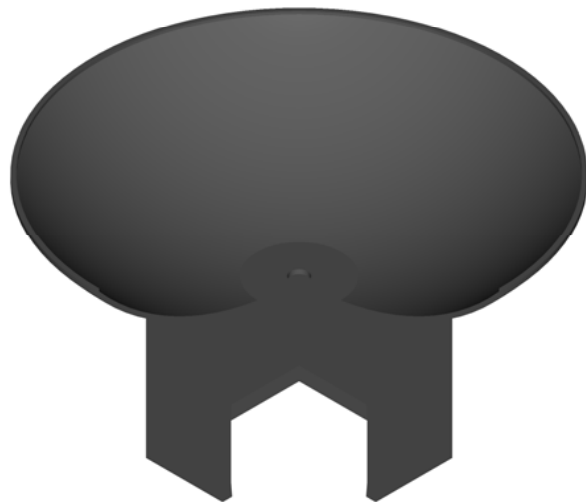


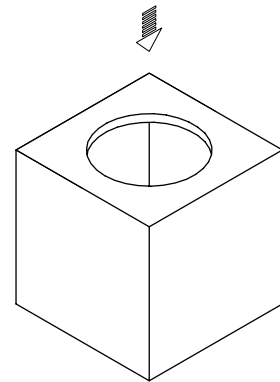
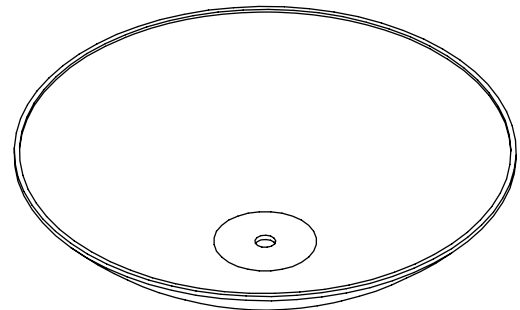
1 PLAN VIEW  
SCALE: 1/2"=1'



2 ELEVATION  
SCALE: 1/2"=1'



3 ISOMETRIC  
SCALE: N.T.S.



4 PROTO-TYPE  
SCALE: N.T.S.

WLKP-48/PED\_SHOP.DWG

CONTENT	WLKP-48/PED GARDEN ART FOUNTAIN
PROJECT	WLKP-48/PED

DRAWING NO	WLKP-48/PED SHOP
SHEET. NO.	1 OF 1