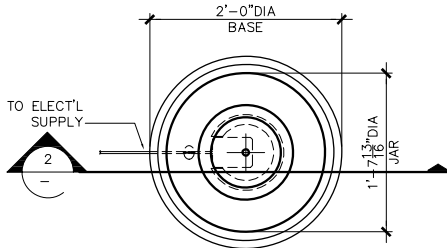
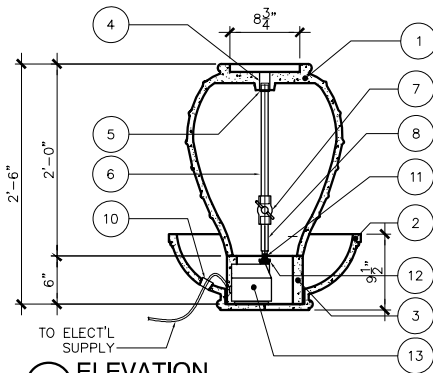


PARTS LIST

ITEM NO	COMPONENT	PART NO.	DESCRIPTION	MANUFACTURER	QTY	REMARKS
①	FOUNTAIN	-	30"H x 26"W 77lbs. GREEK FOUNTAIN - GFRC	TREVI	1	COLOR OPTIONAL
②		-	2'-0"O.D. x 9-1/2"H ROUND BASE - GFRC	TREVI	1	COLOR OPTIONAL
③		-	9-1/2"O.D. x 6"H MINI BASE - GFRC	TREVI	1	PRE-INSTALLED
④	TUBING	-	3/4" DIA PVC COUPLER SOCKET END	-	1	PRE-INSTALLED
⑤		-	3/4"x1/2" DIA PVC CONCENTRIC REDUCER SOCKET END	-	1	PRE-INSTALLED
⑥		-	1/2" DIA x 3'LG PVC PIPE PLAIN END	-	1	PRE-INSTALLED
⑦	PARTS BAG	A100	1/2" DIA BALL VALVE PVC SCH. 40 150 PSI	-	1	
⑧		A100	5/8" I.D. x 6"LG TUBING - CLEAR VINYL PLAIN END	-	1	
⑨		A100	SHIM PLASTIC	EZ - SHIM	4	
⑩		A100	1/4" DIA RUBBER PLUG	-	1	
⑪	PUMP	-	1/2" I.D. x 2"L HOSE TAIL - CLEAR VINYL PLAIN END	JEAN TECH INC.	1	
⑫		-	1"x1/2" DIA ADAPTER THREADED	JEAN TECH INC.	1	
⑬		-	WT660, 550 GPH SUBMERSIBLE PUMP	JEAN TECH INC.	1	



1 PLAN VIEW  
SCALE: 1/2"=1'



2 ELEVATION  
SCALE: 1/2"=1'

NOTE:

Electrical supply must conform with local & national regulation/codes. If in doubt consult an electrician.

To ease connections hot water may be used to soften PVC tubing. Pump and plumbing details may vary.

Precautions should be taken to prevent damage from water freezing in reservoir.

