

PARTS LIST

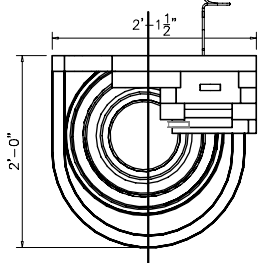
ITEM NO	COMPONENT	PART NO.	DESCRIPTION	MANUFACTURER	QTY	REMARKS
①	FOUNTAIN	-	56"H x 25"W x 31"D 172lbs. HONEYPOT - GFRC	TREVI	1	COLOR OPTIONAL
②		-	2'-0"W x 2'-0"L x 6"D BASE - GFRC	TREVI	1	COLOR OPTIONAL
③	TUBING	-	½" I.D. EQUAL TEE SOCKET END PVC	-	1	PRE-INSTALLED
④		-	½" I.D. x 1'-0" LG PVC PIPE PLAIN END	-	1	PRE-INSTALLED
⑤		-	3" LG COPPER MOUTH CHANNEL	TREVI	1	PRE-INSTALLED
⑥	PARTS BAG	A103	5/8" I.D. x 1'-0" LG TUBING - CLEAR VYNYL PLAIN END	-	1	
⑦		A103	1/2" I.D. x 40" LG HOSE TAIL - CLEAR VINYL PLAIN END	-	1	
⑧		A103	SHIM PLASTIC	EZ - SHIM	3	
⑨	PUMP	-	1"x½" DIA ADAPTER THREADED	JEAN TECH INC.	1	
⑩		-	WT300, 190 GPH SUBMERSIBLE PUMP	JEAN TECH INC.	1	

NOTE:

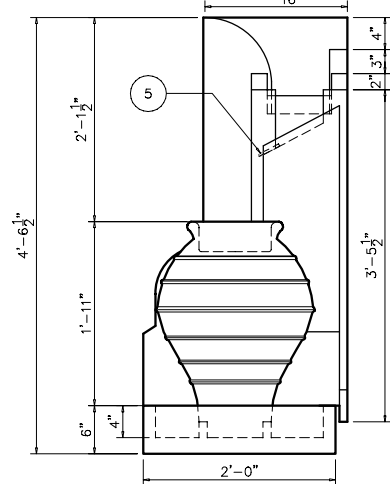
Electrical supply must conform with local & national regulation/codes. If in doubt consult an electrician.

To ease connections hot water may be used to soften PVC tubing. Pump and plumbing details may vary.

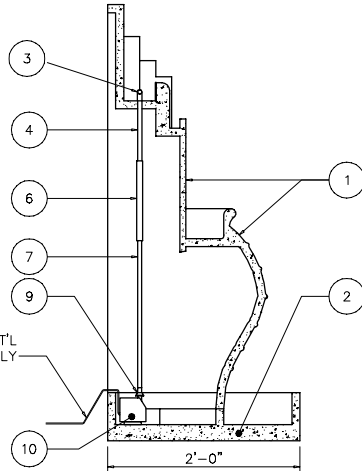
Precautions should be taken to prevent damage from water freezing in reservoir.



① PLAN VIEW
SCALE: 1/2"=1'



② ELEVATION
SCALE: 1/2"=1'



③ SECTION
SCALE: 1/2"=1'

