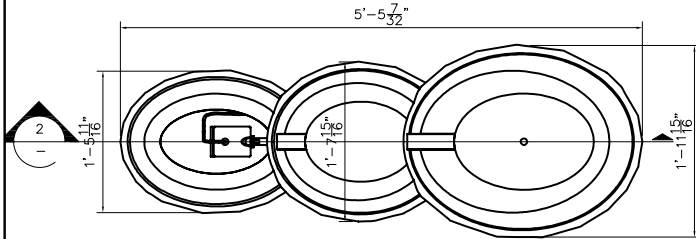


PARTS LIST

ITEM NO	COMPONENT	PART NO.	DESCRIPTION	MANUFACTURER	QTY	REMARKS
1	FOUNTAIN	-	54"H x 24"W HYBRID FOUNTAIN - GFRC	TREVI	1	COLOR OPTIONAL
2		-	36"H x 19"W HYBRID FOUNTAIN - GFRC	TREVI	1	COLOR OPTIONAL
3		-	24"H x 17"W HYBRID FOUNTAIN - GFRC	TREVI	1	COLOR OPTIONAL
4	TUBING	-	3/4" DIA PVC COUPLER SOCKET END	-	1	PRE-INSTALLED
5		-	3/4"x1/2" DIA PVC CONCENTRIC REDUCER SOCKET END	-	1	PRE-INSTALLED
6		-	1/2" DIA x 38"LG PVC PIPE PLAIN END	-	1	PRE-INSTALLED
7		-	1/2" DIA PVC COUPLER SOCKET END	-	1	PRE-INSTALLED
8		-	1-1/4" DIA x 1-1/8"LG PVC PIPE SLEEVE PLAIN END	-	1	PRE-INSTALLED
9		-	1/2" DIA PVC 90 DEG ELBOW SOCKET END	-	1	PRE-INSTALLED
10	PARTS BAG	A102	1/2" DIA BALL VALVE PVC SCH. 40 150 PSI	-	1	
11		A102	5/8" O.D. x 30"LG TUBING - CLEAR VINYL PLAIN END	-	1	
12		A102	5/8" O.D. x 10"LG TUBING - CLEAR VINYL PLAIN END	-	1	
13		A102	1-1/4" DIA RUBBER PLUG	TREVI	1	
14		A102	SHIM PLASTIC	EZ - SHIM	4	
15	PUMP	-	1"x1/2" DIA ADAPTER THREADED	JEAN TECH INC.	1	
16		-	VA2600, 700 GPH SUBMERSIBLE PUMP	JEAN TECH INC.	1	



NOTE:

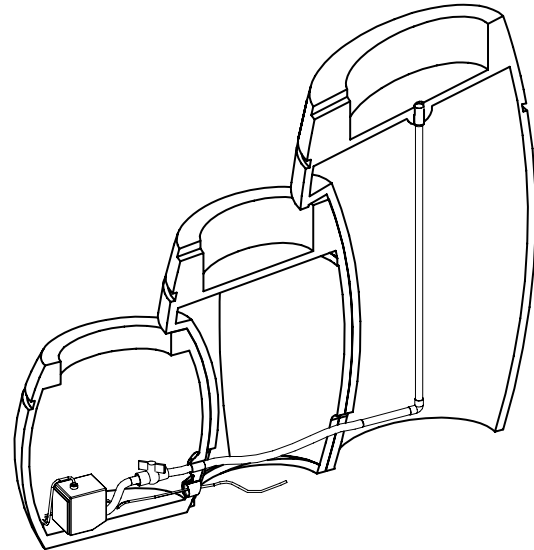
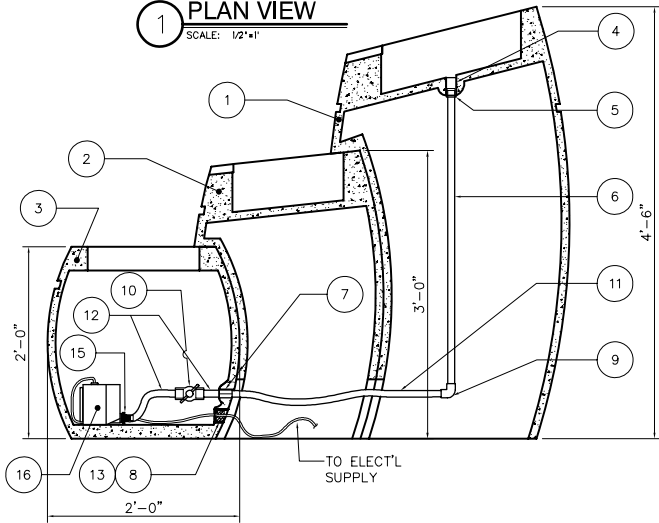
Electrical supply must conform with local & national regulation/codes. If in doubt consult an electrician.

To ease connections hot water may be used to soften PVC tubing. Pump and plumbing details may vary.

Precautions should be taken to prevent damage from water freezing in reservoir.

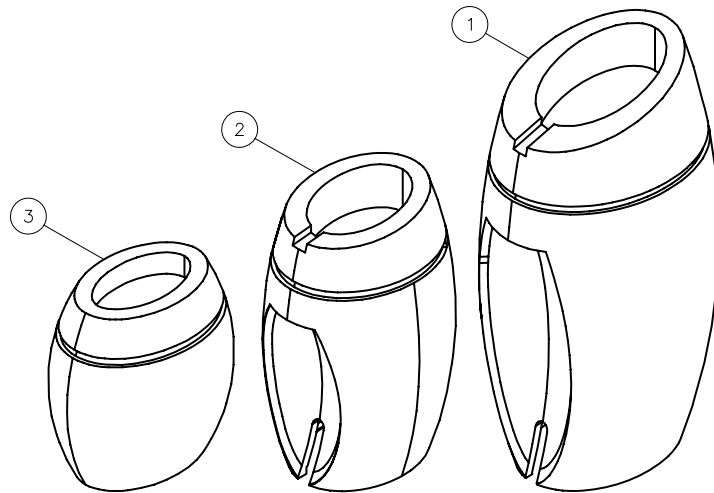
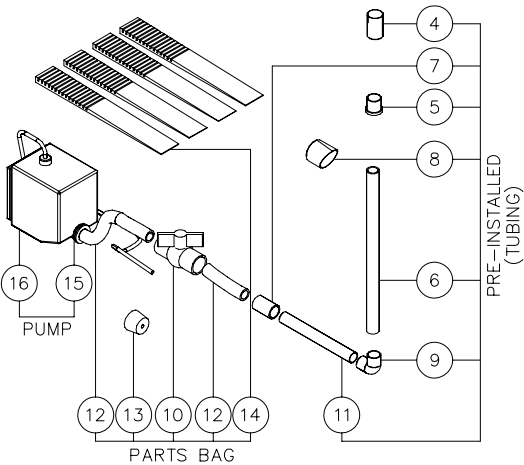
1 PLAN VIEW

SCALE: 1/2"=1'



2 SECTION

SCALE: 1/2"=1'



HYBRD-3_SHOP.DWG