

PARTS LIST

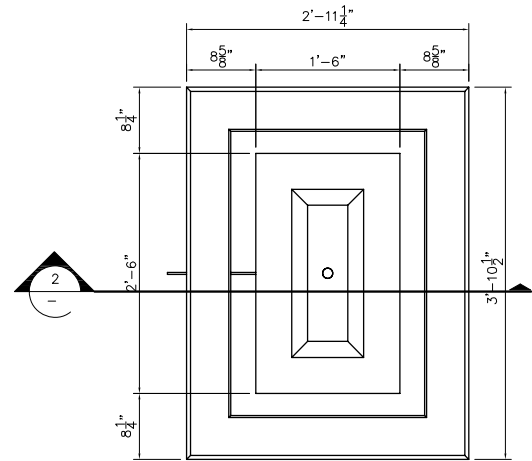
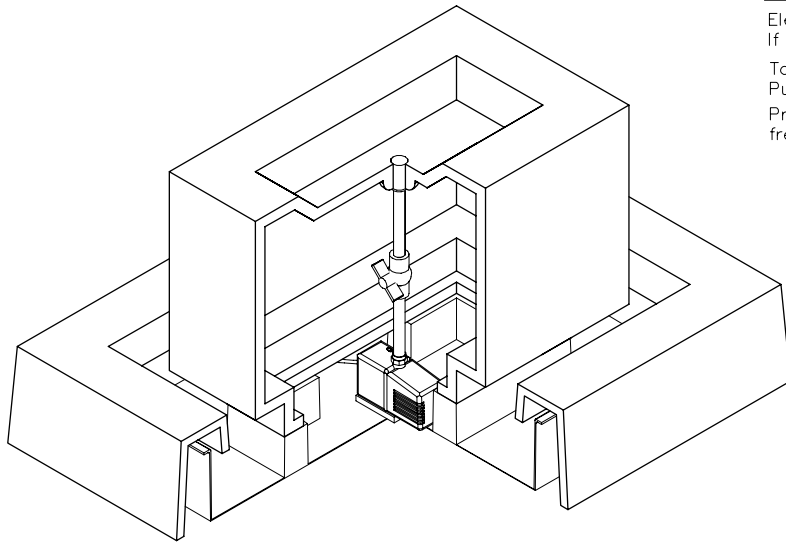
| ITEM NO | COMPONENT | PART NO. | DESCRIPTION | MANUFACTURER | QTY | REMARKS |
|---------|-----------|----------|---|---------------------|-----|----------------|
| ① | FOUNTAIN | - | 21"H x 18"L x 30"W LINEAR FOUNTAIN - GFRC | TREVI | 1 | COLOR OPTIONAL |
| ② | | - | 47"W x 35"L x 8 3/4"H RECTANGULAR BASE - GFRC | TREVI | 1 | COLOR OPTIONAL |
| ③ | | - | 40"W x 29"L x 6-1/2"H RECTANGULAR BASEN - PLASTIC | TREVI | 1 | BLACK |
| ④ | TUBING | - | 3/4" DIA PVC COUPLER SOCKET END | - | 1 | PRE-INSTALLED |
| ⑤ | | - | 1/2" x 3/4" DIA PVC CONCENTRIC REDUCER SOCKET END | - | 1 | PRE-INSTALLED |
| ⑥ | | - | 1/2" DIA x 12"LG PVC PIPE PLAIN END | - | 1 | PRE-INSTALLED |
| ⑦ | PARTS BAG | A101 | 1/2" DIA BALL VALVE PVC SCH. 40 150 PSI | - | 1 | |
| ⑧ | | A101 | 5/8" I.D. x 10"LG TUBING - CLEAR VINYL PLAIN END | - | 1 | |
| ⑨ | | A101 | SHIM PLASTIC | EZ - SHIM | 4 | |
| ⑩ | PUMP | - | 1 1/2" DIA THREADED, SLIP ON DISCHARGE ADAPTER WITH VENTURI | COMMODITY AXIS INC. | 1 | |
| ⑪ | | - | VA2600, 700 GPH SUBMERSIBLE PUMP | COMMODITY AXIS INC. | 1 | |

NOTE:

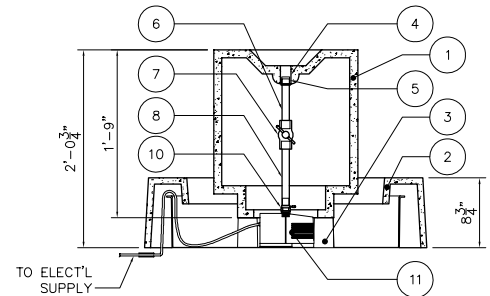
Electrical supply must conform with local & national regulation/codes. If in doubt consult an electrician.

To ease connections hot water may be used to soften PVC tubing. Pump and plumbing details may vary.

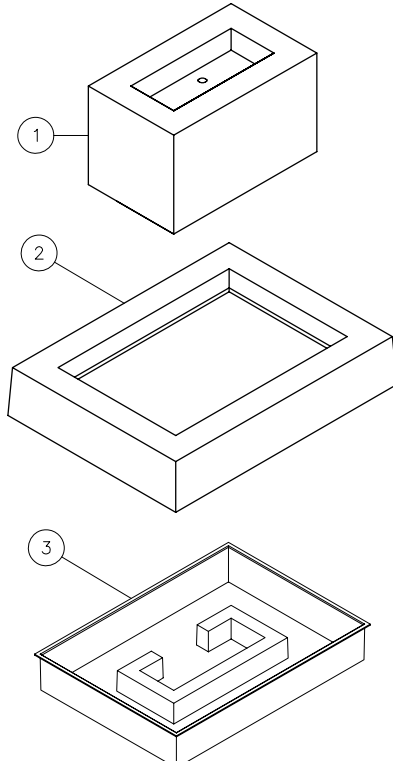
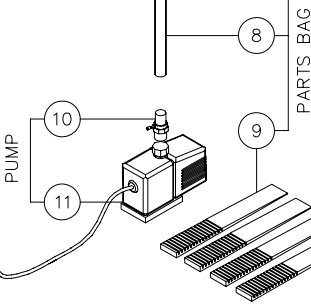
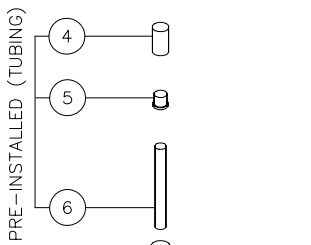
Precautions should be taken to prevent damage from water freezing in reservoir.



1 PLAN
SCALE: 1/2"=1'



2 SECTION
SCALE: 1/2"=1'



LINF-SHOP.DWG