

PARTS LIST

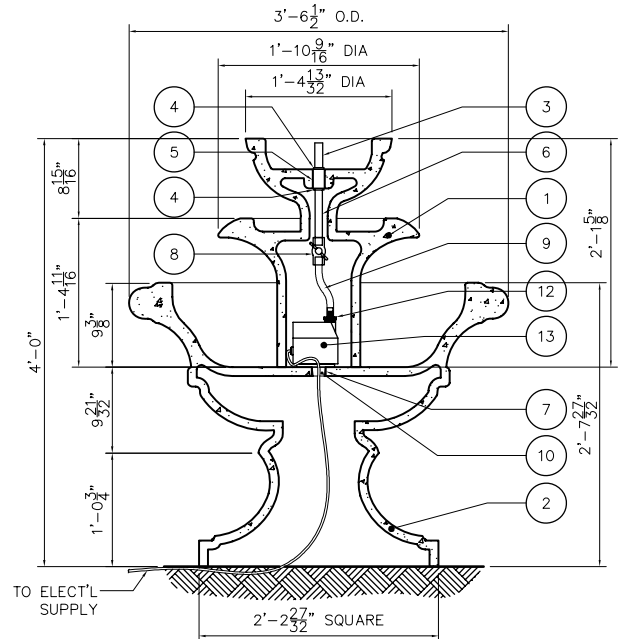
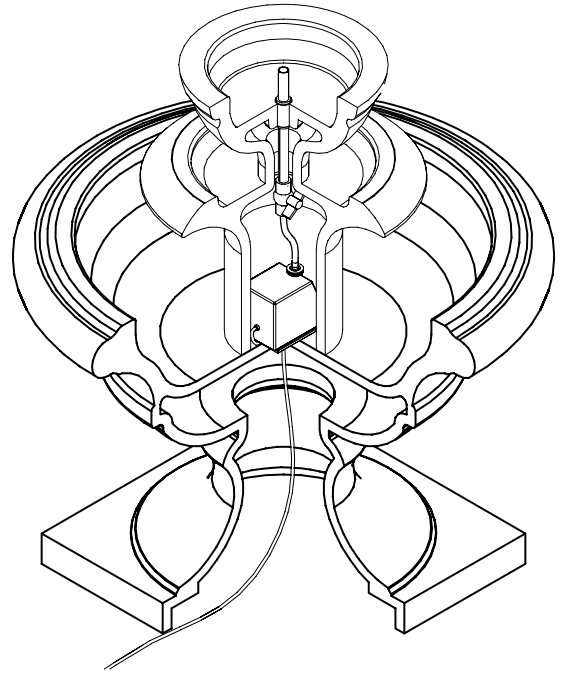
ITEM NO	COMPONENT	PART NO.	DESCRIPTION	MANUFACTURER	QTY	REMARKS
1	FOUNTAIN	-	22-9/16" DIA x 25-5/8" H UPPER PART - GFRC	TREVI	1	COLOR OPTIONAL
2		-	42-1/2" O.D. x 31-27/32" H BASE - GFRC	TREVI	1	COLOR OPTIONAL
3	TUBING	-	1/2" DIA x 3" LG PVC PIPE PLAIN END	-	1	PRE-INSTALLED
4		-	3/4" DIA PVC COUPLER SOCKET END	-	2	PRE-INSTALLED
5		-	3/4"x1/2" DIA PVC CONCENTRIC REDUCER SOCKET END	-	1	PRE-INSTALLED
6		-	1/2" DIA x 8" LG PVC PIPE PLAIN END	-	1	PRE-INSTALLED
7		-	1-1/4" DIA x 1" LG PVC PIPE SLEEVE PLAIN END	-	1	PRE-INSTALLED
8	PARTS BAG	B100	1/2" DIA BALL VALVE PVC SCH. 40 150 PSI	-	1	
9		B100	5/8" I.D. x 12" LG TUBING - CLEAR VINYL PLAIN END	-	1	
10		B100	1-1/4" DIA RUBBER PLUG	TREVI	1	
11		B100	SHIM PLASTIC	EZ - SHIM	4	
12	PUMP	-	1"x1/2" DIA ADAPTER THREADED	JEAN TECH INC.	1	
13		-	WT660, 550 GPH SUBMERSIBLE PUMP	JEAN TECH INC.	1	

NOTE:

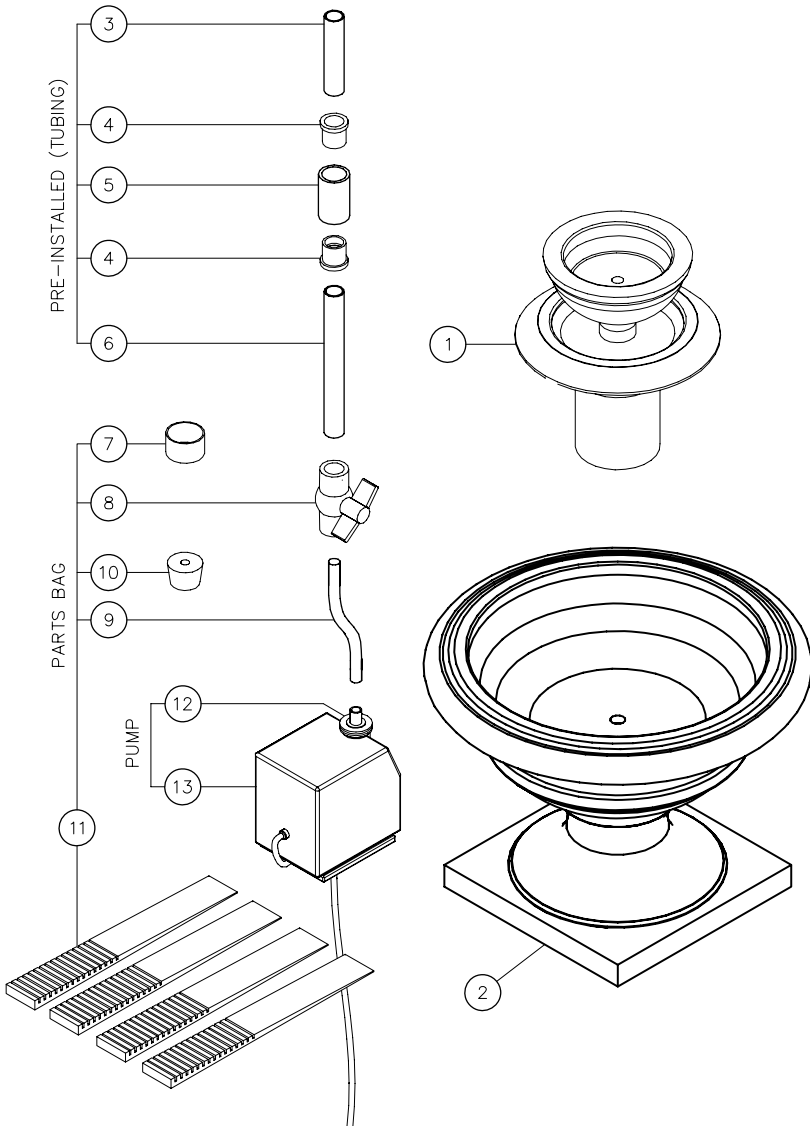
Electrical supply must conform with local & national regulation/codes. If in doubt consult an electrician.

To ease connections hot water may be used to soften PVC tubing. Pump and plumbing details may vary.

Precautions should be taken to prevent damage from water freezing in reservoir.



1 SECTION
SCALE: 1/2" = 1'



LIVO_SHOP.DWG

CONTENT	LIVO	DRAWING NO	LIVO SHOP
	LIVO FOUNTAIN		
PROJECT	LIVO	SHEET NO.	1 OF 1