

PARTS LIST

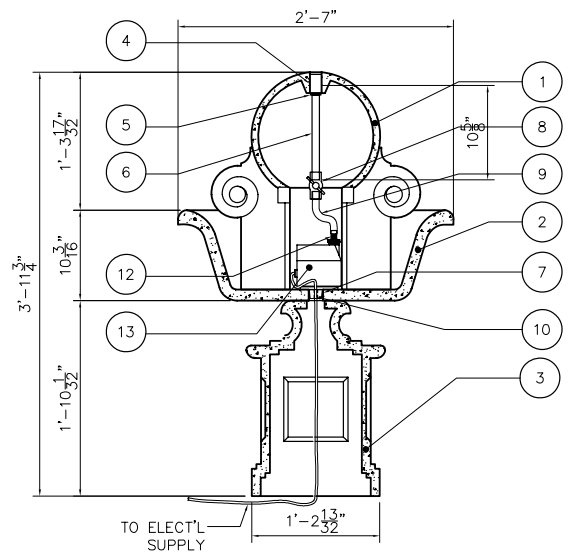
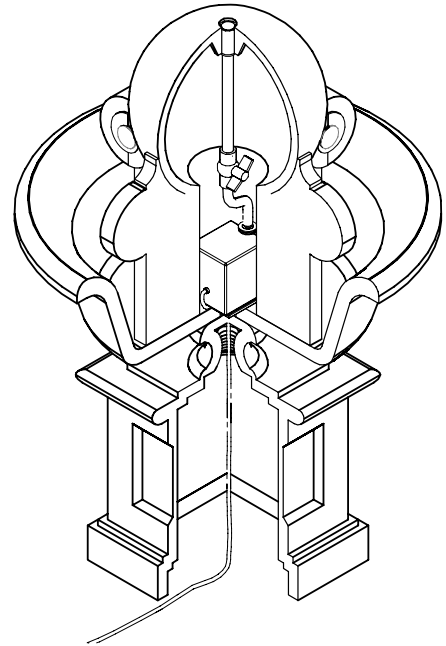
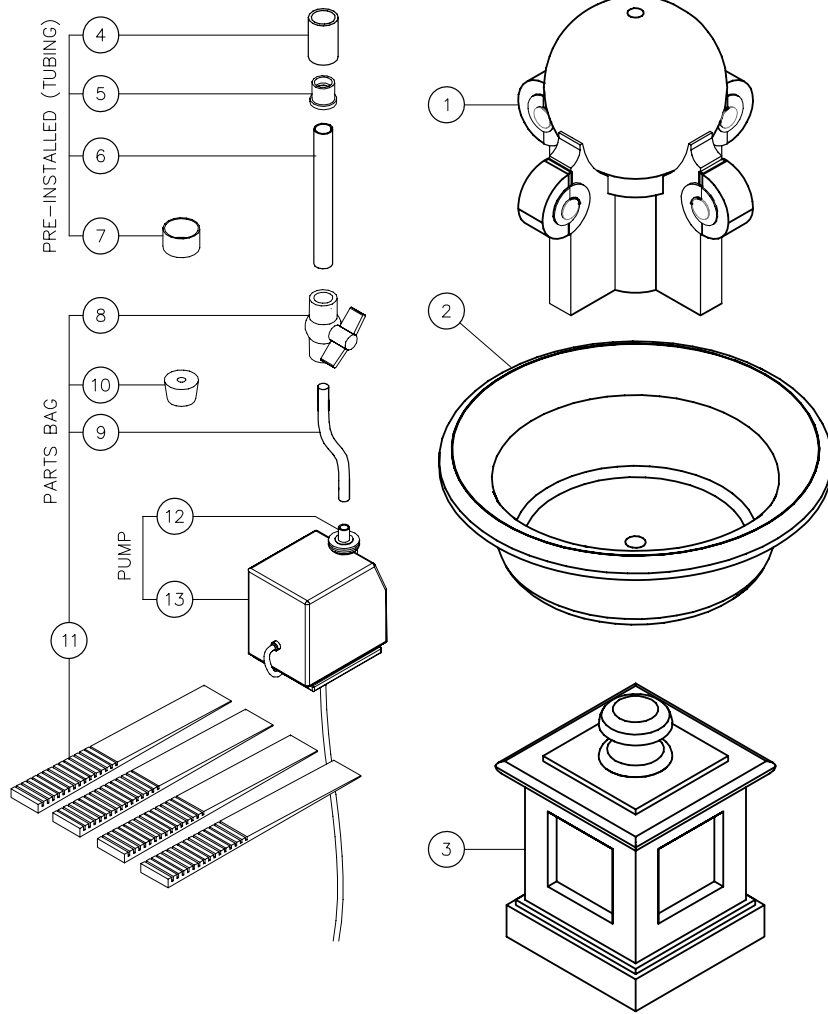
ITEM NO	COMPONENT	PART NO.	DESCRIPTION	MANUFACTURER	QTY	REMARKS
①	FOUNTAIN	-	23-17/32"DIA x 24-15/32"H UPPER PART - GFRC	TREVI	1	COLOR OPTIONAL
②		-	31"O.D. x 10-3/16"H BOWL - GFRC	TREVI	1	COLOR OPTIONAL
③		-	15-21/32"W x 15-2 1/2"L x 22"H PEDESTAL - GFRC	TREVI	1	COLOR OPTIONAL
④	TUBING	-	3/4" DIA PVC COUPLER SOCKET END	-	1	PRE-INSTALLED
⑤		-	3/4"x1/2" DIA PVC CONCENTRIC REDUCER SOCKET END	-	1	PRE-INSTALLED
⑥		-	1/2" DIA x 11" LG PVC PIPE PLAIN END	-	1	PRE-INSTALLED
⑦		-	1-1/4" DIA x 1"LG PVC PIPE SLEEVE PLAIN END	-	1	PRE-INSTALLED
⑧	PARTS BAG	A1?	1/2" DIA BALL VALVE PVC SCH. 40 150 PSI	-	1	
⑨		A1?	5/8" I.D. x 12"LG TUBING - CLEAR VINYL PLAIN END	-	1	
⑩		A1?	1-1/4" DIA RUBBER PLUG	TREVI	1	
⑪		A1?	SHIM PLASTIC	EZ - SHIM	6	
⑫	PUMP	-	1"x1/2" DIA ADAPTER THREADED	JEAN TECH INC.	1	
⑬		-	WT660, 550 GPH SUBMERSIBLE PUMP	JEAN TECH INC.	1	

NOTE:

Electrical supply must conform with local & national regulation/codes. If in doubt consult an electrician.

To ease connections hot water may be used to soften PVC tubing. Pump and plumbing details may vary.

Precautions should be taken to prevent damage from water freezing in reservoir.



1 SECTION
SCALE: 1/2"=1'

MRNS-SHOP.DWG

Yard Art

925.487.7166

www.uniquegardendecor.com

CONTENT
MRNS
MARINUS FOUNTAIN

DRAWING NO
MRNS
SHOP

PROJECT MRNS

SHEET. NO. 1 OF 1