

PARTS LIST

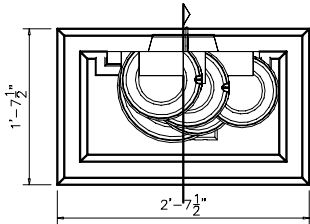
ITEM NO	COMPONENT	PART NO.	DESCRIPTION	MANUFACTURER	QTY	REMARKS
①	FOUNTAIN	-	57"H x 30"W x 18"D 337lbs. MOON - GFRC	TREVI	1	COLOR OPTIONAL
②		-	1'-7 1/2"W x 2'-7 1/2"L x 9"D BASE - GFRC	TREVI	1	COLOR OPTIONAL
③		-	PUMP MOVABLE COVER - GFRC	TREVI	1	COLOR OPTIONAL
④	TUBING	-	1/2" I.D. x 1'-0" LG COPPER PIPE PLAIN END BENDED @ ONE END	-	1	PRE-INSTALLED
⑤		-	1" I.D. x 1'-0 1/4" LG SLEEVE PVC PIPE PLAIN END	-	1	PRE-INSTALLED
⑥	PARTS BAG	A103	5/8" I.D. x 4'-0" LG TUBING - CLEAR VINYL PLAIN END	-	1	
⑦		A103	1/2" I.D. 90° ELBOW CPVC SOCKET END	-	1	
⑧		A103	1/2" I.D. x 5" LG HOSE TAIL - CLEAR VINYL PLAIN END	-	1	
⑨		A103	SHIM PLASTIC	EZ - SHIM	3	
⑩	PUMP	-	1" x 1/2" DIA ADAPTER THREADED	JEAN TECH INC.	1	
⑪		-	WT300, 190 GPH SUBMERSIBLE PUMP	JEAN TECH INC.	1	

NOTE:

Electrical supply must conform with local & national regulation/codes. If in doubt consult an electrician.

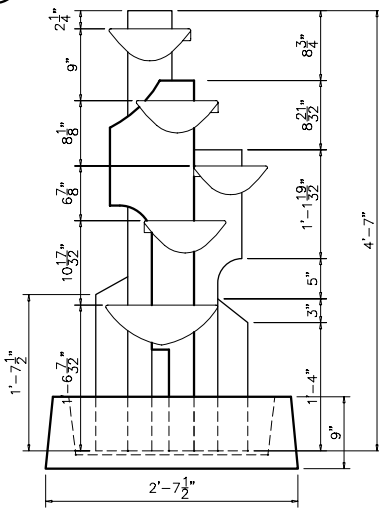
To ease connections hot water may be used to soften PVC tubing. Pump and plumbing details may vary.

Precautions should be taken to prevent damage from water freezing in reservoir.



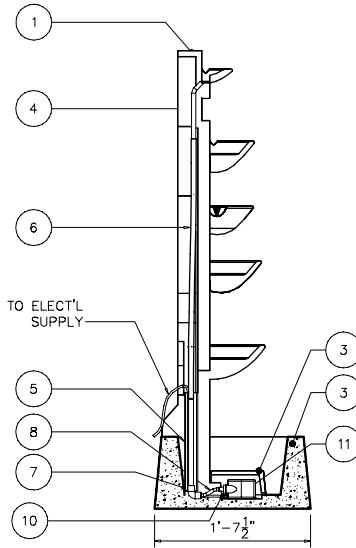
1 PLAN VIEW

SCALE: 1/2"=1'



2 ELEVATION

SCALE: 1/2"=1'



3 SECTION

SCALE: 1/2"=1'

