

PARTS LIST

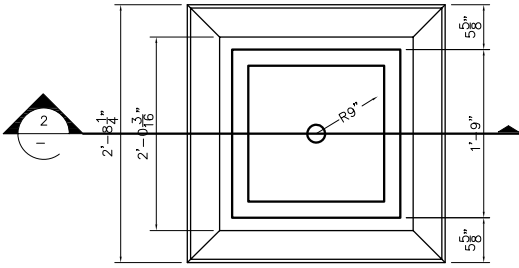
ITEM NO	COMPONENT	PART NO.	DESCRIPTION	MANUFACTURER	QTY	REMARKS
①	FOUNTAIN	-	56"H x 32"W 315lbs. OBTUSE FOUNTAIN - GFRC	TREVI	1	COLOR OPTIONAL
②		-	2'8 1/4"W x 2'8 1/4"L x 8 7/8"H SQUARE BASE - GFRC	TREVI	1	COLOR OPTIONAL
③		-	2'4 3/4"W x 2'4 3/4"L x 6 1/2"H SQUARE BASEN - PLASTIC	TREVI	1	BLACK COLOR
		-	-	-	-	-
④	TUBING	-	3/4" DIA PVC COUPLER SOCKET END	-	1	PRE-INSTALLED
⑤		-	1/2" DIA x 1'LG PVC PIPE PLAIN END	-	1	PRE-INSTALLED
⑥		-	3/4"x1/2" DIA PVC CONCENTRIC REDUCER SOCKET END	-	3	PRE-INSTALLED
⑦	PARTS BAG	A101	1/2" DIA BALL VALVE PVC SCH. 40 150 PSI	-	1	
⑧		A101	5/8" I.D. x 10"LG TUBING - CLEAR VINYL PLAIN END	-	1	
⑨		A101	SHIM PLASTIC	EZ - SHIM	4	
		-	-	-	-	-
⑩	PUMP	-	1"x1/2" DIA THREADED, SLIP DISCHARGE ADAPTER WITH VENTURI	COMMODITY AXIS INC.	1	
⑪		-	VA3300, 950 GPH SUBMERSIBLE PUMP	COMMODITY AXIS INC.	1	

NOTE:

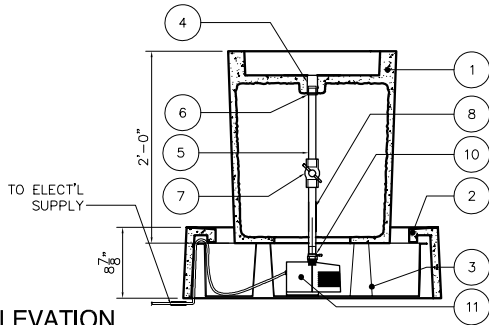
Electrical supply must conform with local & national regulation/codes. If in doubt consult an electrician.

To ease connections hot water may be used to soften PVC tubing. Pump and plumbing details may vary.

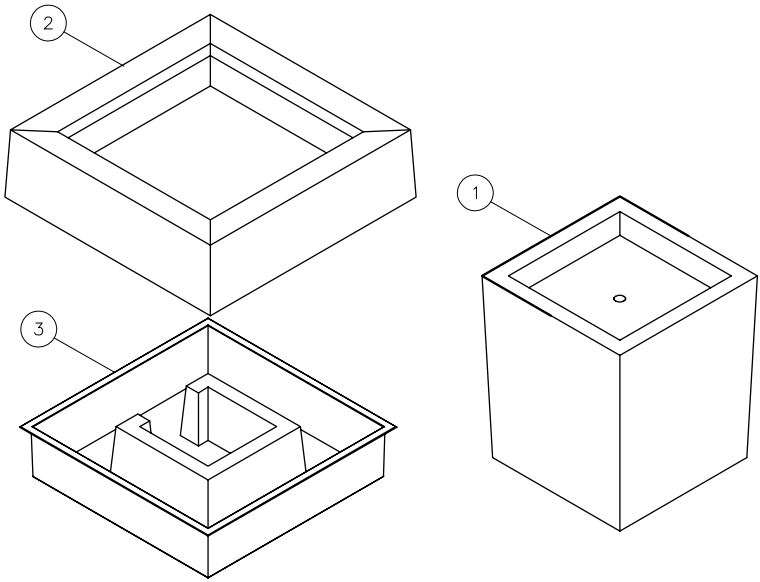
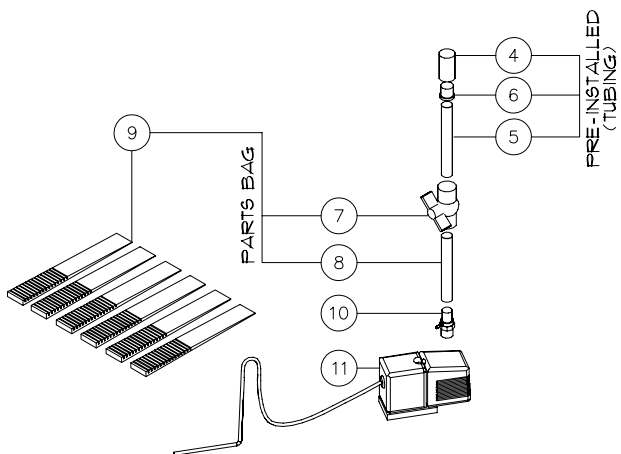
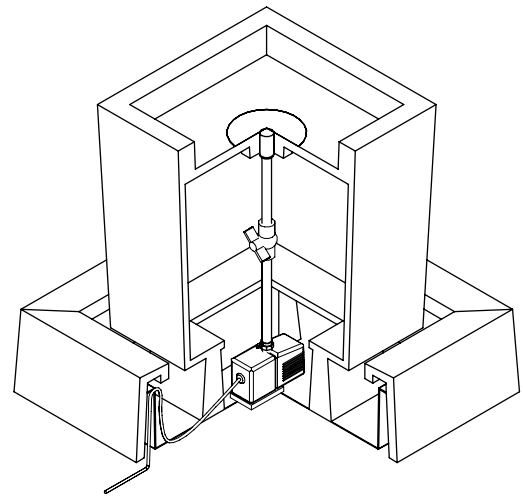
Precautions should be taken to prevent damage from water freezing in reservoir.



1 PLAN VIEW  
SCALE: 1/2"=1'



2 ELEVATION  
SCALE: 1/2"=1'



OBT\_F\_SHOP.DWG