

PARTS LIST

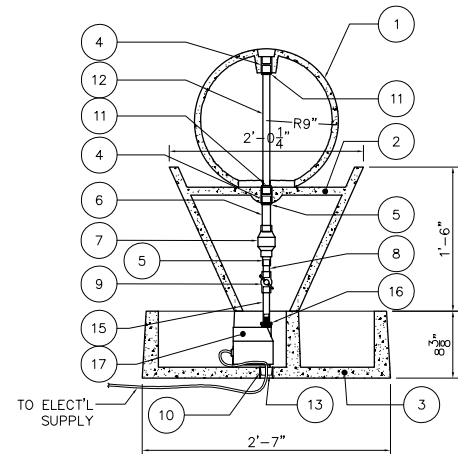
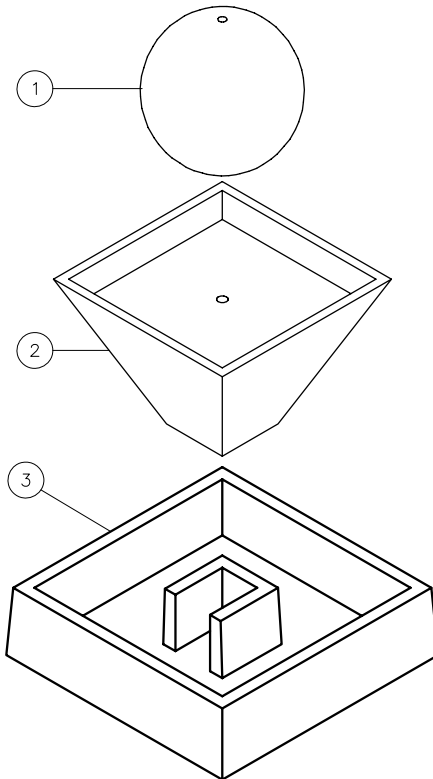
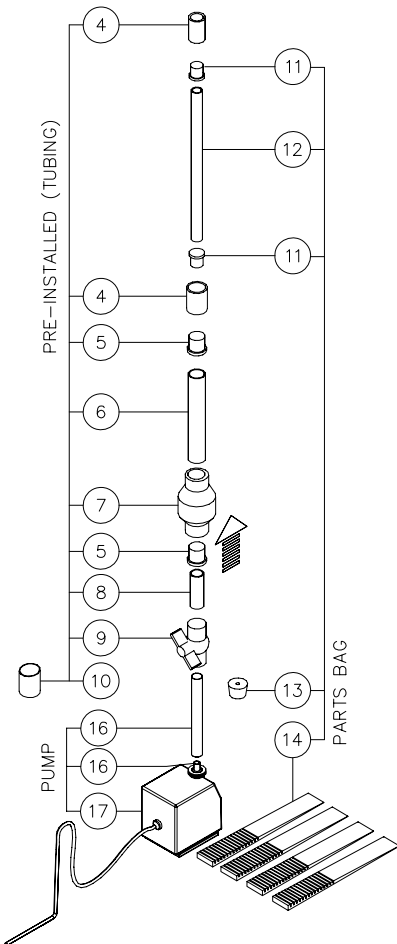
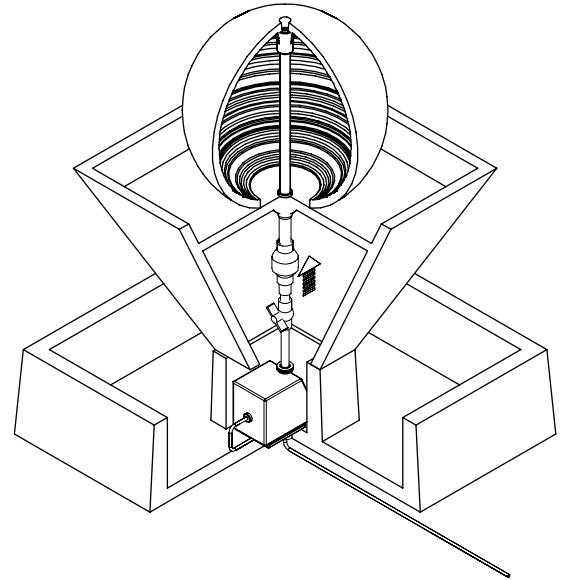
ITEM NO	COMPONENT	PART NO.	DESCRIPTION	MANUFACTURER	QTY	REMARKS
①	FOUNTAIN	-	18" DIA BALL - GFRC	TREVI	1	COLOR OPTIONAL
②		-	24-1/4"W x 24-1/4"L x 18"D OBLIQUE FTN. (SMALL) GFRC	TREVI	1	COLOR OPTIONAL
③		-	31"W x 31"L x 8-3/8"D SQUARE BASE - GFRC	TREVI	1	COLOR OPTIONAL
④	TUBING	-	3/4" DIA PVC COUPLER SOCKET END	-	2	PRE-INSTALLED
⑤		-	1/2" x 3/4" DIA PVC CONCENTRIC REDUCER SOCKET END	-	2	PRE-INSTALLED
⑥		-	3/4" DIA x 4-3/4"LG PVC PIPE PLAIN END	-	1	PRE-INSTALLED
⑦		-	3/4" DIA NON-RETURN VALVE PVC SCH. 40 200 PSI (CHECK VALVE)	-	1	PRE-INSTALLED
⑧		-	1/2" DIA x 3"LG PVC PIPE PLAIN END	-	1	PRE-INSTALLED
⑨		-	1/2" DIA BALL VALVE PVC SCH. 40 150 PSI	-	1	PRE-INSTALLED
⑩		-	1-1/2" DIA x 2"LG PVC PIPE SLEEVE PLAIN END	-	1	PRE-INSTALLED
⑪	PARTS BAG	A118	1/2" x 3/4" DIA PVC CONCENTRIC REDUCER SOCKET END	-	2	PRE-INSTALLED
⑫		A118	5/8" I.D. x 24"L TUBING - CLEAR VINYL PLAIN END	-	1	SUPPLIED
⑬		A118	1-1/4" DIA RUBBER PLUG	TREVI	1	SUPPLIED
⑭		A118	SHIM PLASTIC	EZ - SHIM	8	SUPPLIED
⑮	PUMP	-	5/8" I.D. x 8"L HOSE TAIL - CLEAR VINYL PLAIN END	COMMODITY AXIS INC.	1	SUPPLIED
⑯		-	1/2" DIA THREADED DISCHARGE ADAPTER	COMMODITY AXIS INC.	1	SUPPLIED
⑰		-	VA4900, 1200 GPH SUBMERSIBLE PUMP	COMMODITY AXIS INC.	1	SUPPLIED

NOTE:

Electrical supply must conform with local & national regulation/codes. If in doubt consult an electrician.

To ease connections hot water may be used to soften PVC tubing. Pump and plumbing details may vary.

Precautions should be taken to prevent damage from water freezing in reservoir.



① SECTION
SCALE: 1/2"=1"

OBSE-SHOP.DWG