

PARTS LIST

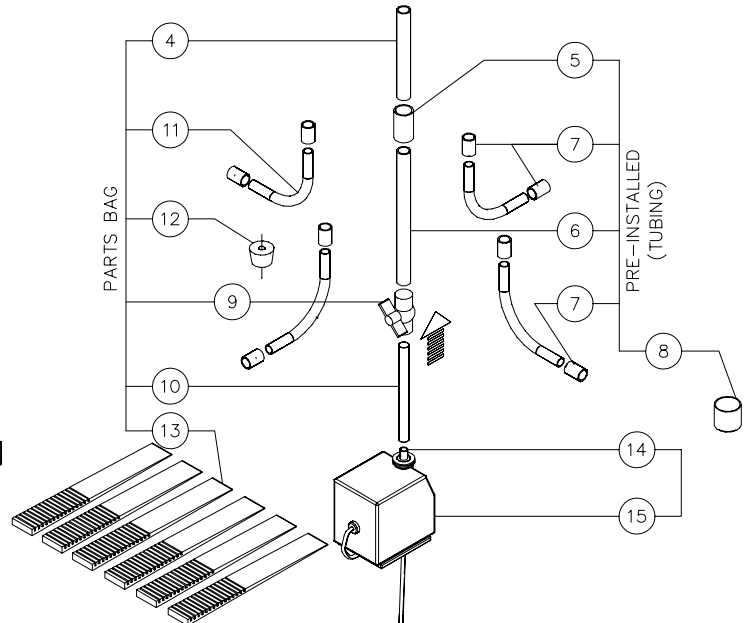
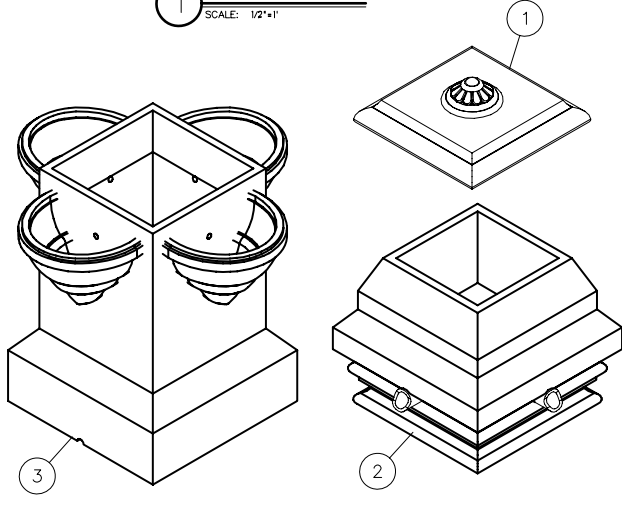
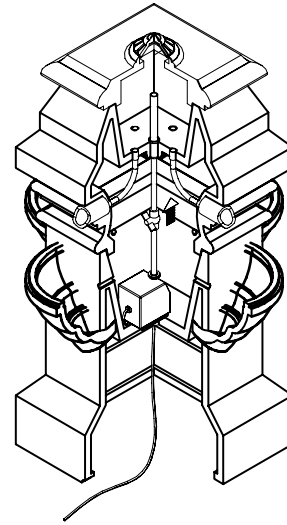
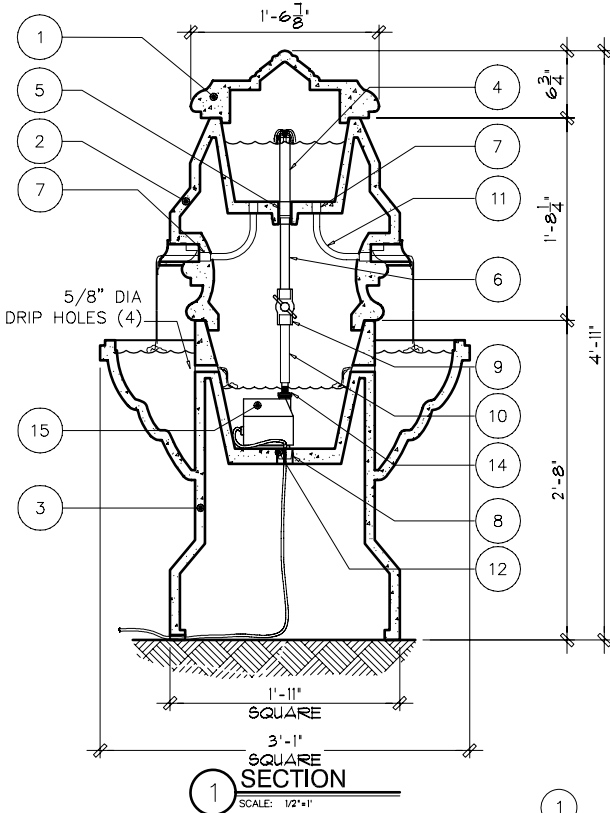
ITEM NO	COMPONENT	PART NO.	DESCRIPTION	MANUFACTURER	QTY	REMARKS
1	FOUNTAIN	-	18-7/8" x 18-7/8" HOOD - GFRC	TREVI	1	COLOR OPTIONAL
2		-	23" x 23" MID PANEL - GFRC	TREVI	1	COLOR OPTIONAL
3		-	23" x 23" BOTTOM PANEL - GFRC	TREVI	1	COLOR OPTIONAL
4	TUBING	-	1/2" DIA x 8" LG PVC PIPE PLAIN END	-	1	PRE-INSTALLED
5		-	1/2" DIA PVC COUPLER SOCKET END	-	1	PRE-INSTALLED
6		-	1/2" DIA x 10" LG PVC PIPE PLAIN END	-	1	PRE-INSTALLED
7		-	1/2" DIA CPVC COUPLER SOCKET END	-	8	PRE-INSTALLED
8		-	1-1/2" DIA x 1-1/4" LG PVC PIPE SLEEVE PLAIN END	-	1	PRE-INSTALLED
9	PARTS BAG	A1??	1/2" DIA BALL VALVE PVC SCH. 40 150 PSI	-	1	SUPPLIED
10		A1??	5/8" I.D. x 12" LG TUBING - CLEAR VINYL PLAIN END	-	1	SUPPLIED
11		A1??	5/8" I.D. x 12" LG TUBING - CLEAR VINYL PLAIN END	-	4	SUPPLIED
12		A1??	1-3/4" RUBBER PLUG	TREVI	1	SUPPLIED
13		A1??	SHIM PLASTIC	EZ - SHIM	6	SUPPLIED
14	PUMP	-	1"x1/2" DIA ADAPTER THREADED	JEAN TECH INC.	1	SUPPLIED
15		-	VA2600, 700 GPH SUBMERSIBLE PUMP	JEAN TECH INC.	1	SUPPLIED

NOTE:

Electrical supply must conform with local & national regulation/codes. If in doubt consult an electrician.

To ease connections hot water may be used to soften PVC tubing. Pump and plumbing details may vary.

Precautions should be taken to prevent damage from water freezing in reservoir.



TGAF-SHOP.DWG