

PARTS LIST

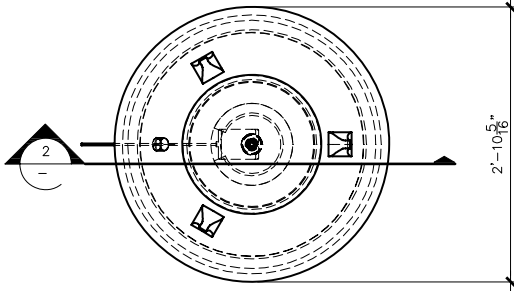
ITEM NO	COMPONENT	PART NO.	DESCRIPTION	MANUFACTURER	QTY	REMARKS
1	FOUNTAIN	-	36"H x 34"DIA SMALL VASE FOUNTAIN - GFRC	TREVI	1	COLOR OPTIONAL
2		-	12'-7"O.D. x 2"H ROUND BASE - GFRC	TREVI	1	COLOR OPTIONAL
3		-	10-1/4"O.D. x 8"H MINI BASE - GFRC	TREVI	1	COLOR OPTIONAL
4	TUBING	-	3/4" DIA x 4"LG PVC PIPE PLAIN END	-	1	PRE-INSTALLED
5		-	3/4" DIA PVC COUPLER SOCKET END	-	1	PRE-INSTALLED
6		-	3/2"x1/2" DIA PVC CONCENTRIC REDUCER SOCKET END	-	1	PRE-INSTALLED
7		-	1/2" DIA x 27"LG PVC PIPE PLAIN END	-	1	PRE-INSTALLED
8		-	1-1/4" DIA x 1-1/4"LG PVC PIPE SLEEVE PLAIN END	-	1	PRE-INSTALLED
9	PARTS BAG	A100	1/2" DIA BALL VALVE PVC SCH. 40 150 PSI	-	1	
10		A100	5/8" I.D. x 10"LG TUBING - CLEAR VINYL PLAIN END	-	1	
11		A100	1 1/4" DIA RUBBER PLUG	-	1	
12		A100	SHIM PLASTIC	EZ - SHIM	4	
13	PUMP	-	1"x1/2" DIA ADAPTER THREADED	JEAN TECH INC.	1	
14		-	WT660, 500 GPH SUBMERSIBLE PUMP	JEAN TECH INC.	1	

NOTE:

Electrical supply must conform with local & national regulation/codes. If in doubt consult an electrician.

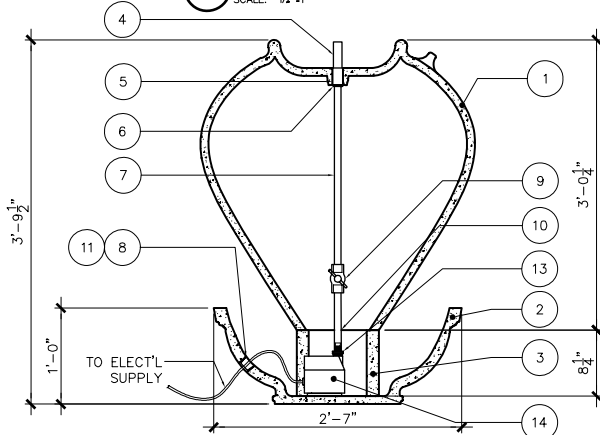
To ease connections hot water may be used to soften PVC tubing. Pump and plumbing details may vary.

Precautions should be taken to prevent damage from water freezing in reservoir.



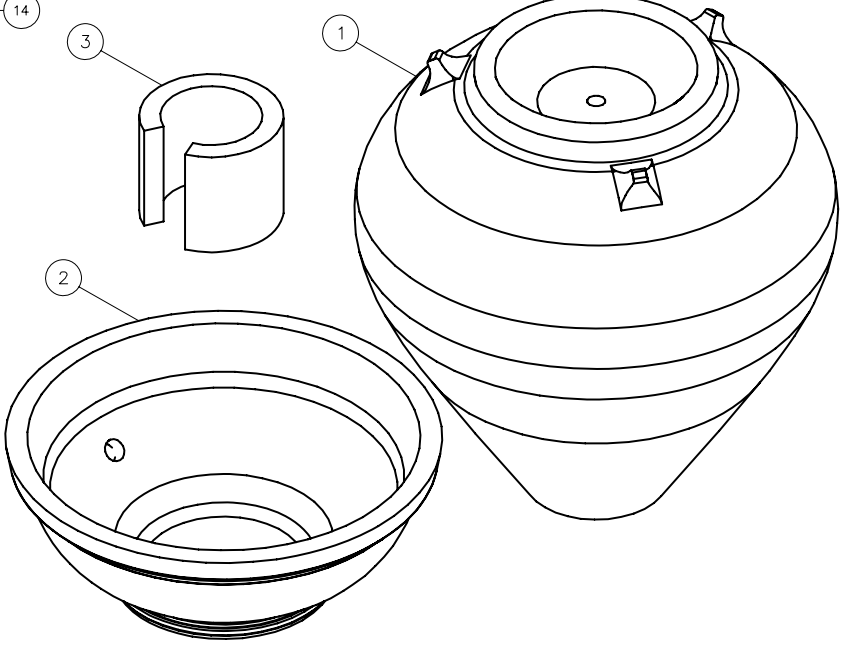
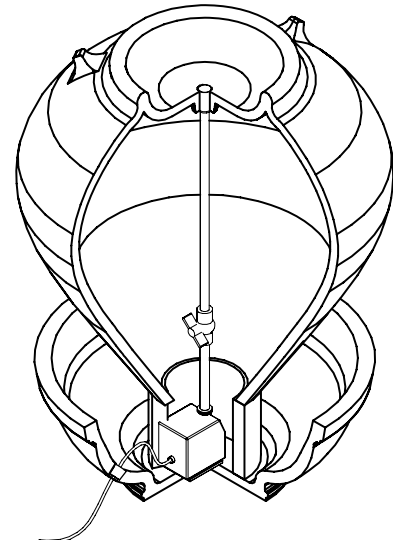
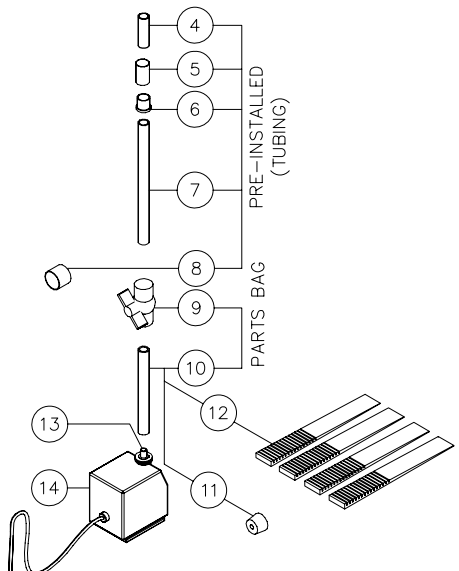
1 PLAN VIEW

SCALE: 1/2"=1'



2 ELEVATION

SCALE: 1/2"=1'



VSSF-SHOP.DWG