

PARTS LIST

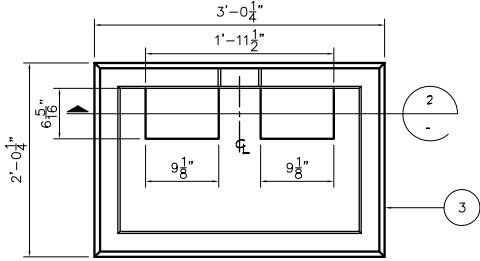
ITEM NO	COMPONENT	PART NO.	DESCRIPTION	MANUFACTURER	QTY	REMARKS
①	FOUNTAIN	-	61'-0"H VERTICAL FOUNTAIN - GFRC W/ TUBING	TREVI	1	COLOR OPTIONAL
②		-	61'-0"H VERTICAL FOUNTAIN - GFRC WITH OUT TUBING	TREVI	1	COLOR OPTIONAL
③		-	12-1/4"W x 36-1/4"L x 9-3/8"D BASE - GFRC	TREVI	1	COLOR OPTIONAL
④	TUBING	-	3/4" DIA PVC COUPLER SOCKET END	-	1	PRE-INSTALLED
⑤		-	3/4"x1/2" DIA PVC CONCENTRIC REDUCER SOCKET END	-	1	PRE-INSTALLED
⑥	PARTS BAG	B102	5/8" DIA x 6'-0"LG TUBING - CLEAR VINYL PLAIN END	-	1	
⑦		B102	SHIM PLASTIC	EZ - SHIM	4	
⑧	PUMP	-	1"x1/2" DIA ADAPTER THREADED	JEAN TECH INC.	1	
⑨		-	WT300, 210 GPH SUBMERSIBLE PUMP	JEAN TECH INC.	1	

NOTE:

Electrical supply must conform with local & national regulation/codes. If in doubt consult an electrician.

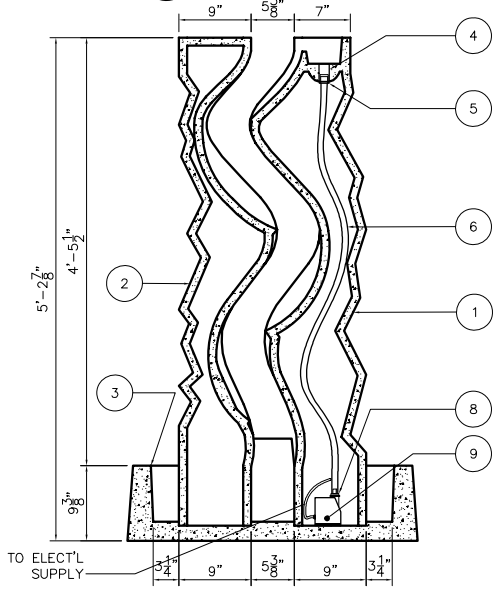
To ease connections hot water may be used to soften PVC tubing. Pump and plumbing details may vary.

Precautions should be taken to prevent damage from water freezing in reservoir.



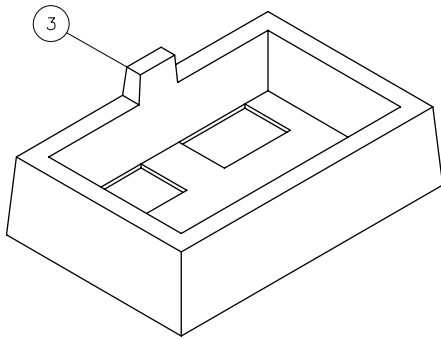
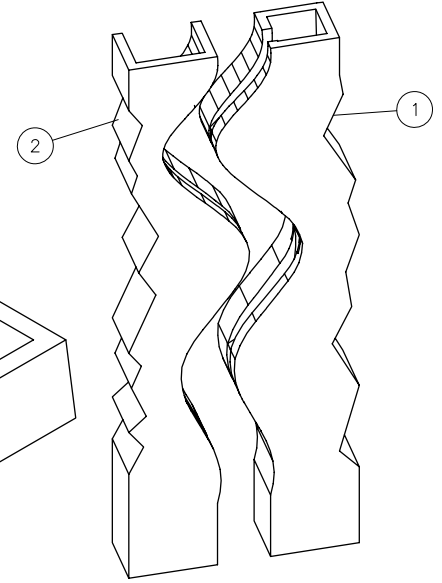
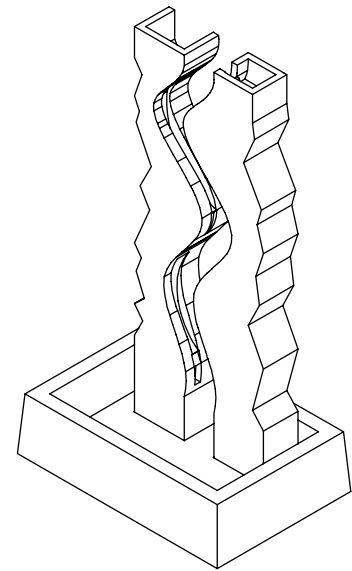
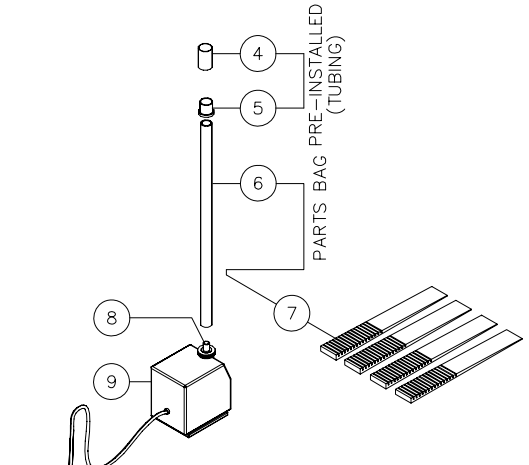
1 PLAN VIEW

SCALE: 1/2"=1'



2 SECTION

SCALE: 1/2"=1'



VRCY SHOP.DWG