

PARTS LIST

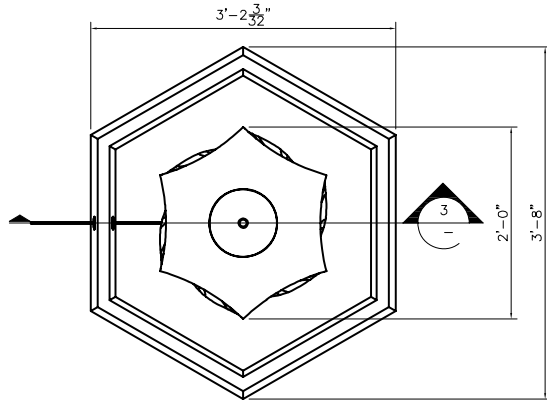
| ITEM NO | COMPONENT | PART NO. | DESCRIPTION | MANUFACTURER | QTY | REMARKS |
|---------|-----------|----------|--|----------------|-----|----------------|
| 1 | FOUNTAIN | - | 59'-0" x 21"W x 21"L SPIRE FOUNTAIN - GFRC | TREVI | 1 | COLOR OPTIONAL |
| 2 | | - | 21"W x 21"L x 12-3/4"D BASE - GFRC | TREVI | 1 | COLOR OPTIONAL |
| 3 | TUBING | - | 3/4" DIA PVC COUPLER SOCKET END | - | 1 | PRE-INSTALLED |
| 4 | | - | 3/4"x1/2" DIA PVC CONCENTRIC REDUCER SOCKET END | - | 1 | PRE-INSTALLED |
| 5 | | - | 1-1/4" DIA x 1-1/8"LG PVC PIPE SLEEVE PLAIN END | - | 1 | PRE-INSTALLED |
| 6 | | - | 1/2" DIA x 3'-5"LG PVC PIPE PLAIN END | - | 1 | PRE-INSTALLED |
| 7 | PARTS BAG | A100 | 1/2" DIA BALL VALVE PVC SCH. 40 150 PSI | - | 1 | |
| 8 | | A100 | 5/8" I.D. x 10"LG TUBING - CLEAR VINYL PLAIN END | - | 1 | |
| 9 | | A100 | 1-3/4" DIA RUBBER PLUG | - | 1 | |
| 10 | | A100 | SHIM PLASTIC | EZ - SHIM | 4 | |
| 11 | PUMP | - | 1"x1/2" DIA ADAPTER THREADED | JEAN TECH INC. | 1 | |
| 12 | | - | VA2600, 700 GPH SUBMERSIBLE PUMP | JEAN TECH INC. | 1 | |

NOTE:

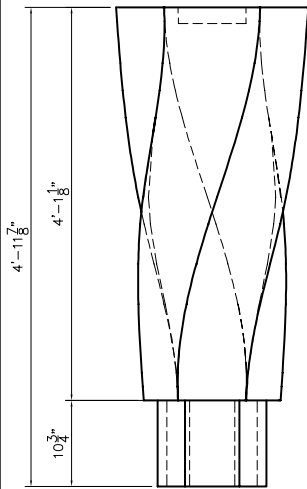
Electrical supply must conform with local & national regulation/codes. If in doubt consult an electrician.

To ease connections hot water may be used to soften PVC tubing. Pump and plumbing details may vary.

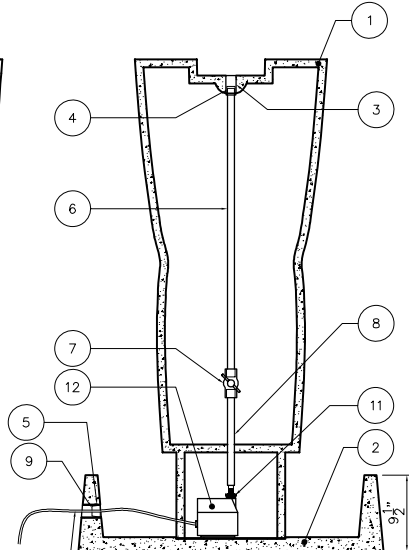
Precautions should be taken to prevent damage from water freezing in reservoir.



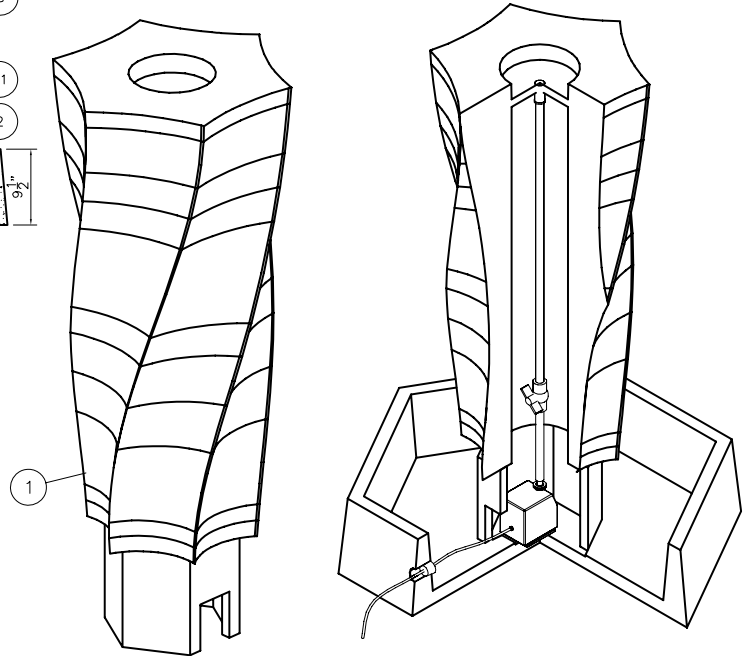
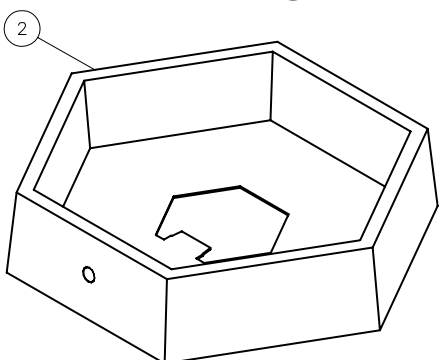
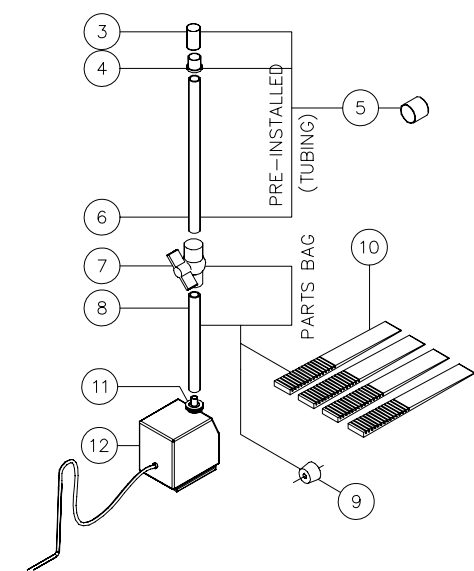
1 PLAN VIEW
SCALE: 1/2"=1'



2 ELEVATION
SCALE: 1/2"=1'



3 SECTION
SCALE: 1/2"=1'



VRTX - SHOP.DWG

| | |
|------------------------------------|----------------------------|
| CONTENT VRTX VORTEX FOUNTAIN | DRAWING NO VRTX SHOP |
| PROJECT VRTX | SHEET, NO. 1 OF 1 |