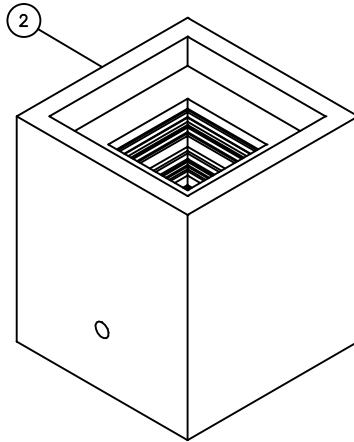
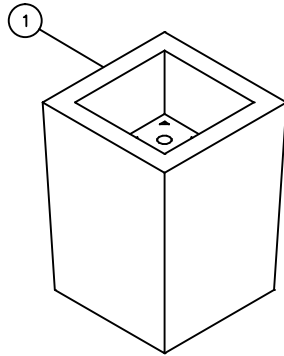


PARTS LIST

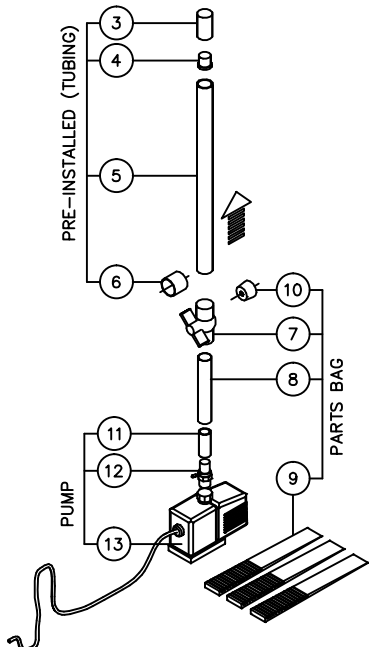
ITEM NO	COMPONENT	PART NO.	DESCRIPTION	MANUFACTURER	QTY	REMARKS
1	FOUNTAIN	-	20"H x 15"W OBTUSE FOUNTAIN - GFRC	GIST	1	COLOR OPTIONAL
2		-	24"H x 21"W 315lbs. BASE FOUNTAIN - GFRC	GIST	1	COLOR OPTIONAL
3	TUBING	-	3/4" DIA PVC COUPLER SOCKET END	-	2	PRE-INSTALLED
4		-	1/2" x 3/4" DIA PVC CONCENTRIC REDUCER SOCKET END	-	3	PRE-INSTALLED
5		-	1/2" DIA x 15-1/2" LG PVC PIPE PLAIN END	-	1	PRE-INSTALLED
6		-	1-1/4" DIA x 1-1/8" LG PVC PIPE SLEEVE PLAIN END	-	1	PRE-INSTALLED
7	PARTS BAG	C100	1/2" DIA BALL VALVE PVC SCH. 40 150 PSI	-	1	
8		C100	5/8" I.D. x 10" LG TUBING - CLEAR VINYL PLAIN END	-	1	
9		C100	SHIM PLASTIC	EZ - SHIM	4	
10		C100	PLUG	GIST	1	
11	PUMP	-	1/2" I.D. x 2"L HOSE TAIL - CLEAR VINYL PLAIN END	COMMODITY AXIS INC.	1	
12		-	1 1/2" DIA THREADED, SLIP ON DISCHARGE ADAPTER WITH VENTURI	COMMODITY AXIS INC.	1	
13		-	MODEL 950 - WP3500, 1100 GPH SUBMERSIBLE PUMP	JEBAO	1	



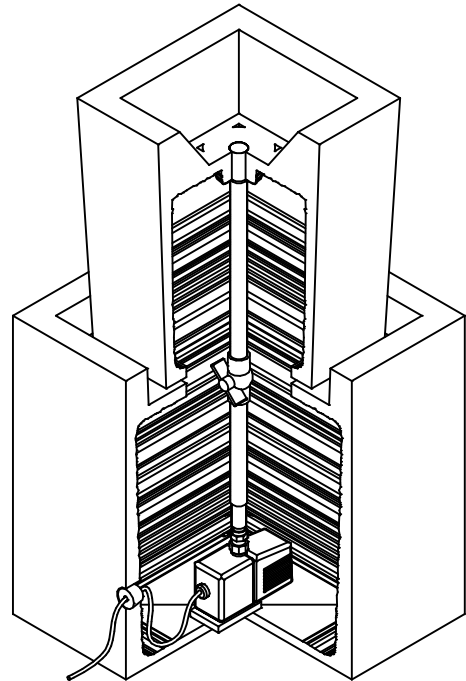
1 ASSEMBLY  
SCALE: N.T.S.



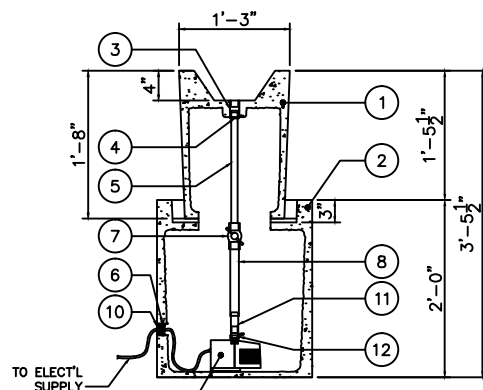
3 EXPLODED VIEW  
SCALE: 1/2"=1'



2 PIPE ASSEMBLY  
SCALE: 1/2"=1'



4 CUTAWAY  
SCALE: 1/2"=1'



5 SECTION  
SCALE: 1/2"=1'

NOTE:

Electrical supply must conform with local & national regulation/codes. If in doubt consult an electrician.  
To ease connections hot water may be used to soften PVC tubing. Pump and plumbing details may vary.  
Precautions should be taken to prevent damage from water freezing in reservoir.



YARDART

117-C Town and Country Drive  
Danville, California 94526

866-382-8600

info@yardart.net

FOUNTAIN SQUARED

PRODUCT  
FOUNTAIN SQUARED  
DRAWING DATE  
06-28-06

DWG NO. / SKU:

OBTCF

SHEET NO. 1 OF 1

COPYRIGHT 2008 GIST DECOR 2012 GIST PRODUCTS ALL RIGHTS RESERVED