

PARTS LIST

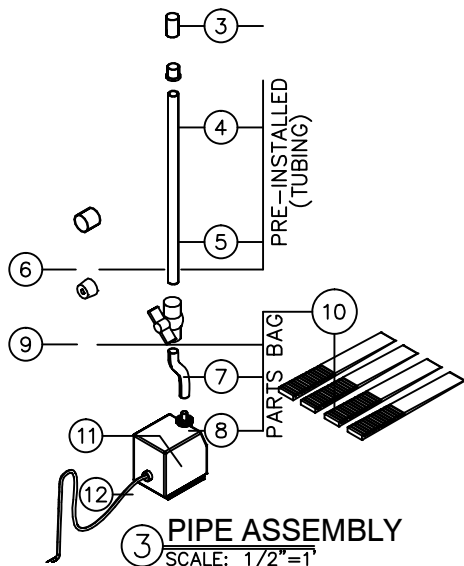
ITEM NO	COMPONENT	PART NO.	DESCRIPTION	MANUFACTURER	QTY	REMARKS
1	FOUNTAIN	-	22" H x 26-5/8"W x 26-5/8" FOUNTAIN - GFRC	GIST	1	COLOR OPTIONAL
2		-	43"W x 43"L x 8 3/8"D SOLID BASE - GFRC	GIST	1	COLOR OPTIONAL
3	TUBING	-	3/4" DIA PVC COUPLER SOCKET END	-	1	PRE-INSTALLED
4		-	3/4"x1/2" DIA PVC CONCENTRIC REDUCER SOCKET END	-	1	
5		-	1/2" DIA x 1'-0" LG PVC PIPE PLAIN END	-	1	PRE-INSTALLED
6		-	1- 1/4" DIA x 1" LG PVC PIPE PLAIN END	-	1	PRE-INSTALLED
7	PARTS BAG	A1-	1/2" DIA BALL VALVE PVC SCH. 40 150 PSI	-	1	
8		A1-	5/8" O.D. x 27" LG TUBING - CLEAR VINYL PLAIN END	-	1	
9		A1-	1-1/4" DIA RUBBER PLUG	-	1	
10		A1-	SHIM PLASTIC	EZ - SHIM	6	
11	PUMP		1"x1/2" DIA ADAPTER THREADED	JEAN TECH INC.	1	
12		-	WP 3000, 800 GPH SUBMERSIBLE PUMP	JEBAO	1	

① PLAN VIEW
SCALE: 1/2"=1'

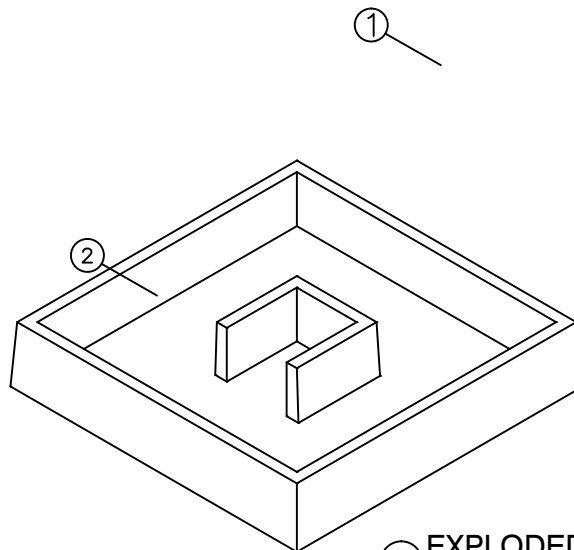


④ ASSEMBLY
SCALE: N.T.S.

② SECTION
SCALE: 1/2"=1'



③ PIPE ASSEMBLY
SCALE: 1/2"=1'



⑤ EXPLODED VIEW
SCALE: 1/2"=1'



YARDART

117-C Town and Country Drive
Danville, California 94526

866-382-8600

info@yardart.net

NOTE:

Electrical supply must conform with local & national regulation/codes. If in doubt consult an electrician.

To ease connections hot water may be used to soften PVC tubing. Pump and plumbing details may vary.

Precautions should be taken to prevent damage from water freezing in reservoir.

FALLS FOUNTAIN

PRODUCT
FALLS FOUNTAIN
DRAWING DATE
07-19-07

DRAWING NO

FLLS

SHEET NO. 1 OF 1

COPYRIGHT 2008 GIST DECOR 2012 GIST PRODUCTS ALL RIGHTS RESERVED