



995 Governor Dr. #103
El Dorado Hills, CA 95762

866 382-8600

YARDART info@yardart.com

Saucers

Cast Stone

Cast stone products in the USA using locally sourced materials. All of our cast stone pieces are manufactured using the wet casting technique with a proprietary high density cast stone mix, yielding a PSI strength of approximately 7,500. The mix is comprised primarily of water, sand, stone aggregate and cement. Our cast stone products may qualify for LEED credits as applicable to your project. Cast stone produces a strong and durable product that will weather naturally in an outdoor environment. Simply stated, cast stone is chosen for its beauty and authenticity. Our material is natural, authentic, made in the USA, and 100% recyclable. These planters are often specified for hospitality projects, large scale public space installations, pedestrian and traffic safety, and other custom projects. Although we recommend that you take advantage of the quick turnaround of our stocked product; these shapes, finishes, and/or sizes are not always right for every job..

Available in a choice of thirteen (13) exclusive natural pigment stains in addition to natural. All of our patinas are hand applied in a multi-step process which produces unique and beautiful surface finishes. Designed to replicate the look of naturally aged materials, the patinas will not prevent the natural aging process that occurs in an outdoor environment. Rather than creating uniform stains, our approach gives our products their unique beauty and appeal.

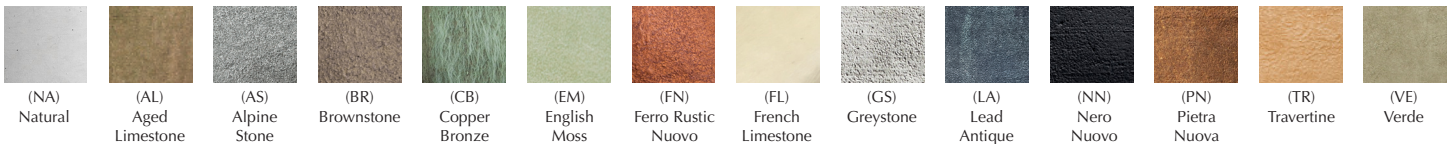


Shown in Alpine Stone

Material	Item Description	Item #	Outside Dimensions	Base Dimensions	Inside Base Dimensions	Inside Height Dimensions	Approx. Weight
Cast Stone	Saucer, 8 Inch	PS-001	9.75"Diam. x 1.75"H	8"Diam.	8"Diam.	0.75"H	5 lbs.
Cast Stone	Saucer, 10 Inch	PS-007	12"Diam. x 1.75"H	10.5"Diam.	10"Diam.	1.5"H	10 lbs.
Cast Stone	Saucer, 12 Inch	PS-002	14.5"Diam. x 2.25"H	12.5"Diam.	12"Diam.	1"H	13 lbs.
Cast Stone	Saucer, 14 Inch	PS-008	16.75"Diam. x 2"H	15"Diam.	14"Diam.	1.25"H	16 lbs.
Cast Stone	Saucer, 16 Inch	PS-003	18.5"Diam. x 2.25"H	16.5"Diam.	16"Diam.	1"H	22 lbs.
Cast Stone	Saucer, 20 Inch	PS-004	23.5"Diam. x 2.5"H	21.25"Diam.	20"Diam.	1"H	41 lbs.
Cast Stone	Saucer, 24 Inch	PS-005	27.75"Diam. x 2.5"H	25.5"Diam.	24"Diam.	1"H	57 lbs.
Cast Stone	Saucer, 28 Inch	PS-006	32.5"Diam. x 2.5"H	30.25"Diam.	28"Diam.	1"H	79 lbs.

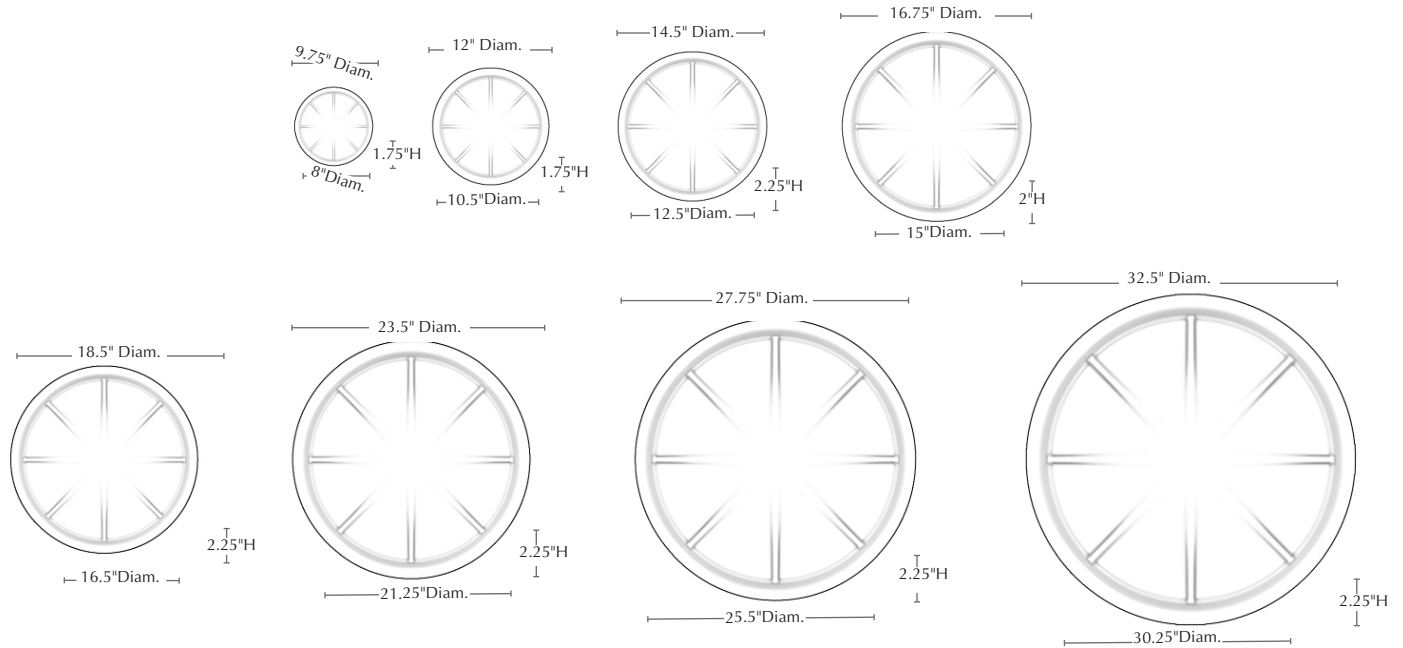
AVAILABLE COLORS

Please note: Actual colors may vary slightly from those depicted below. Color samples are available upon request. Call 925 234-3153 for more info.

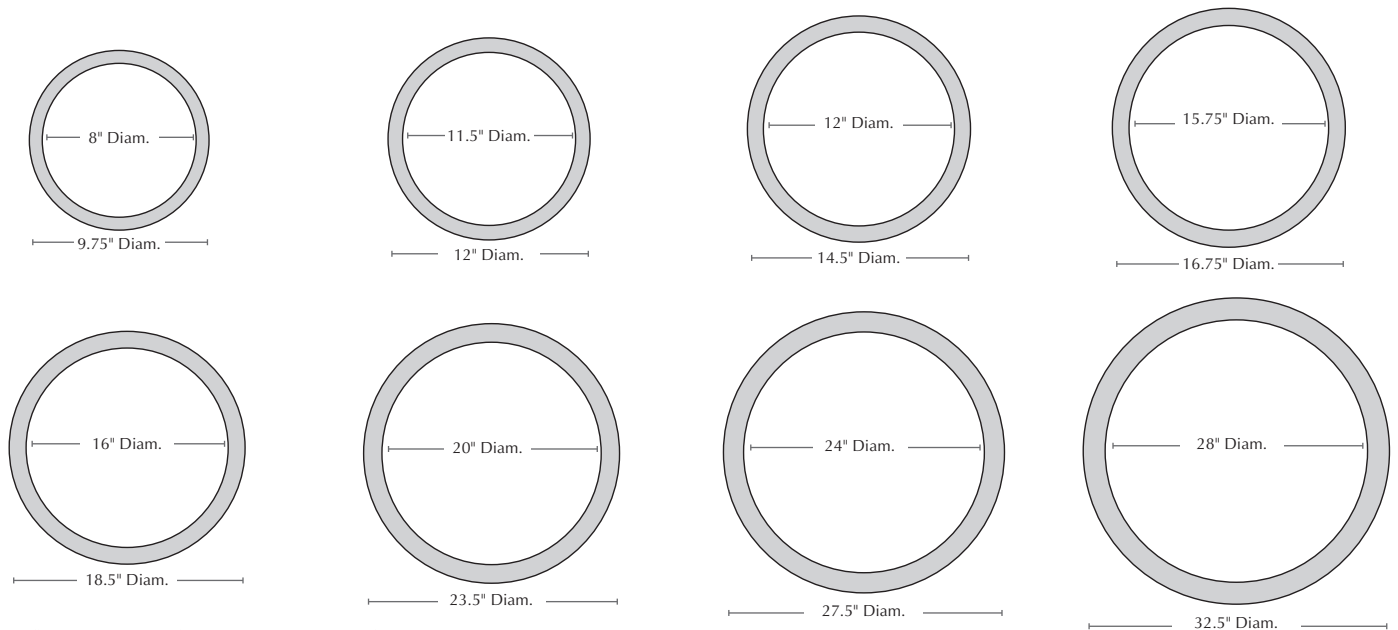


Saucers

Isometric View



Top View



Materials: cement, sand, stone aggregate and water

Care & Maintenance/Outdoor Planting Instructions: Our cast stone planters are equipped with pre-installed drainage holes to allow for drainage. The drain holes must be kept clear to maintain the longevity of your planter, especially in climates that undergo freeze thaw cycles in the winter. Whenever possible, we recommend raising the planter off of the ground to prevent the planter from freezing to the surface below; Covering the drain holes with a mesh screen or equivalent to keep debris from clogging the openings; Filling the bottom of the planter with non-porous drainage material; Filling the remainder of the planter with a well-draining soil mix that will not retain water; and lastly, covering the soil with decorative mulch or pine bark to the top rim of the planter to discourage water from pooling on the surface.

Touch-up & Patch Kits: Available upon request by calling 925 234-3153.

Cleaning Instructions: Cast stone planters can be cleaned with diluted vinegar and water or with any commercially available mild detergent. Use a soft cloth, sponge, or brush. Do not pressure wash, apply corrosive cleaners or clean with anything abrasive. Note that it may take several cycles of wiping and drying before the planter is completely clean. Cast stone contains salts that may effloresce over time. You will notice a fine white powdery coating on the surface of the cast stone if the efflorescence is present in your product. If you wish to remove the salt deposits,