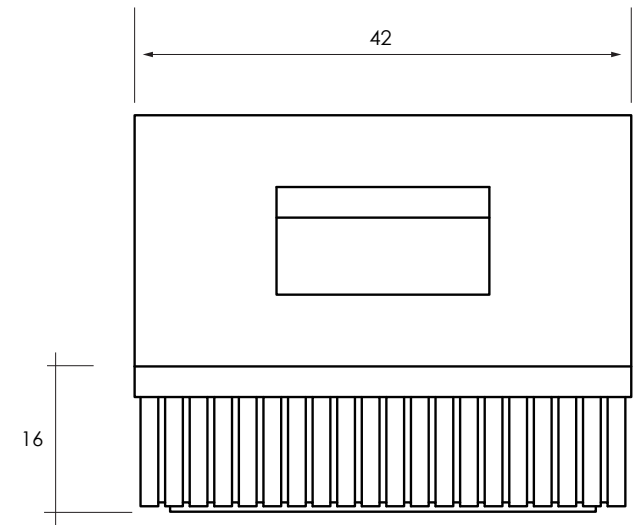
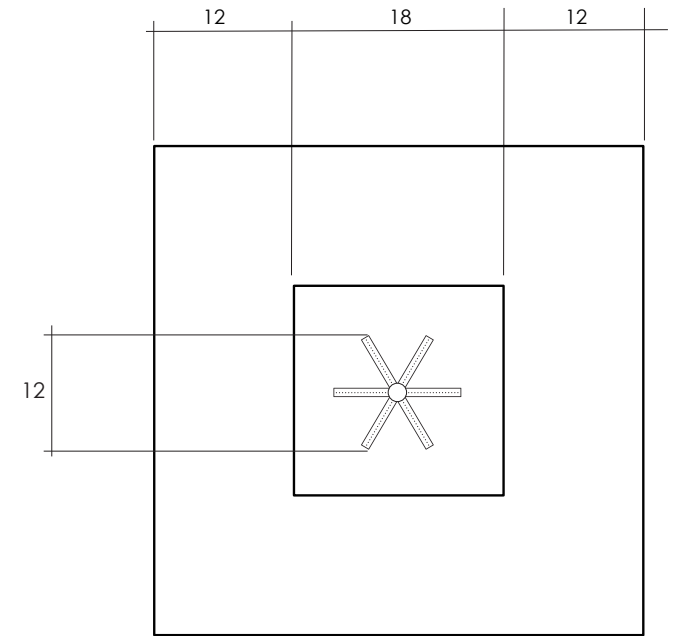
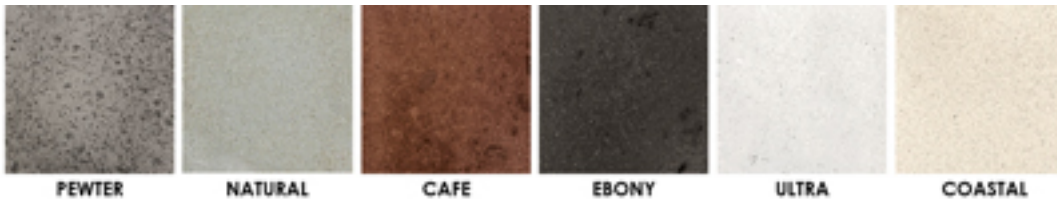


Manchester

SPECIFICATIONS

Width	42"
Length	42"
Height	16"
Surface	12"
Burner Size	12"/65,000 BTUs

Weight	450 lbs.
Fuel Source	LP or NG
Ignition	Key valve
Materials	Glass fiber reinforced concrete Brazilian wood (outer) Metal frame (inner)
Media	Tumbled lava rock



YARDART info@yardart.com

995 Governor Dr. #103
El Dorado Hills, CA 95762

866 382-8600