

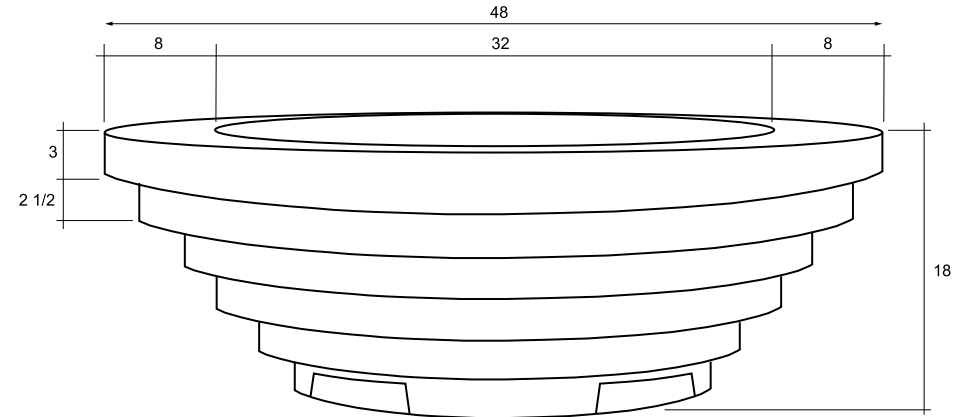
# Triton



995 Governor Dr. #103  
El Dorado Hills, CA 95762

866 382-8600

**YARDART** info@yardart.com



## SPECIFICATIONS

Diameter	48"
Height	18"
Surface	8"
Burner Size	15"/65,000 BTUs
Weight	400 lbs.
Fuel Source	LP or NG
Ignition	Key valve
Material	Glass fiber reinforced concrete
Media	Lava rock

