

PARTS LIST

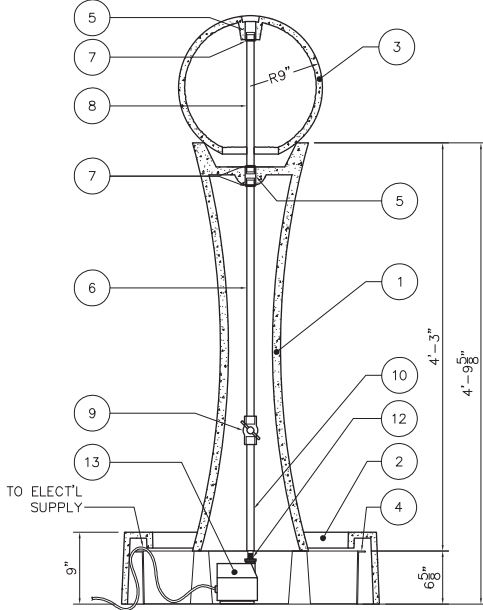
ITEM NO	COMPONENT	PART NO.	DESCRIPTION	MANUFACTURER	QTY	REMARKS
1	FOUNTAIN	-	51" H x 15"W x 15"L I FOUNTAIN - GFRC	TREVI	1	COLOR OPTIONAL
2		-	32-1/4"W x 32-1/4"L x 9"D BASE - GFRC	TREVI	1	COLOR OPTIONAL
3		-	18" DIA BALL - GFRC	TREVI	1	COLOR OPTIONAL
4		-	28-3/4"W x 28-3/4"L x 6-5/8"D SQUARE BASEN - PLASTIC	TREVI	1	COLOR OPTIONAL
5	TUBING	-	3/4" DIA PVC COUPLER SOCKET END	-	2	PRE-INSTALLED
6		-	1/2" DIA x 2'-11"LG PVC PIPE PLAIN END	-	1	PRE-INSTALLED
7		-	3/4"x1/2" DIA PVC CONCENTRIC REDUCER SOCKET END	-	1	PRE-INSTALLED
7	PARTS BAG	A115	3/4"x1/2" DIA PVC CONCENTRIC REDUCER SOCKET END	-	2	
8		A115	1/2" DIA x 2'-0"LG CLEAR VINYL PLAIN END	-	1	
9		A115	1/2" DIA PVC COUPLER SOCKET END	-	1	
10		A115	5/8" I.D. x 10"LG TUBING - CLEAR VINYL PLAIN END	-	1	
11		A115	SHIM PLASTIC	EZ - SHIM	6	
12	PUMP	-	1"x1/2" DIA ADAPTER THREADED	JEAN TECH INC.	1	
13		-	VA2600, 700 GPH SUBMERSIBLE PUMP	JEAN TECH INC.	1	

NOTE:

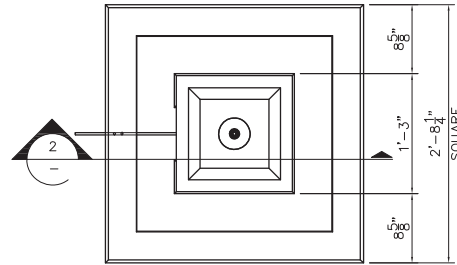
Electrical supply must conform with local & national regulation/codes. If in doubt consult an electrician.

To ease connections hot water may be used to soften PVC tubing. Pump and plumbing details may vary.

Precautions should be taken to prevent damage from water freezing in reservoir.



2 SECTION  
SCALE: 1/2"=1'



1 PLAN VIEW  
SCALE: 1/2"=1'

